

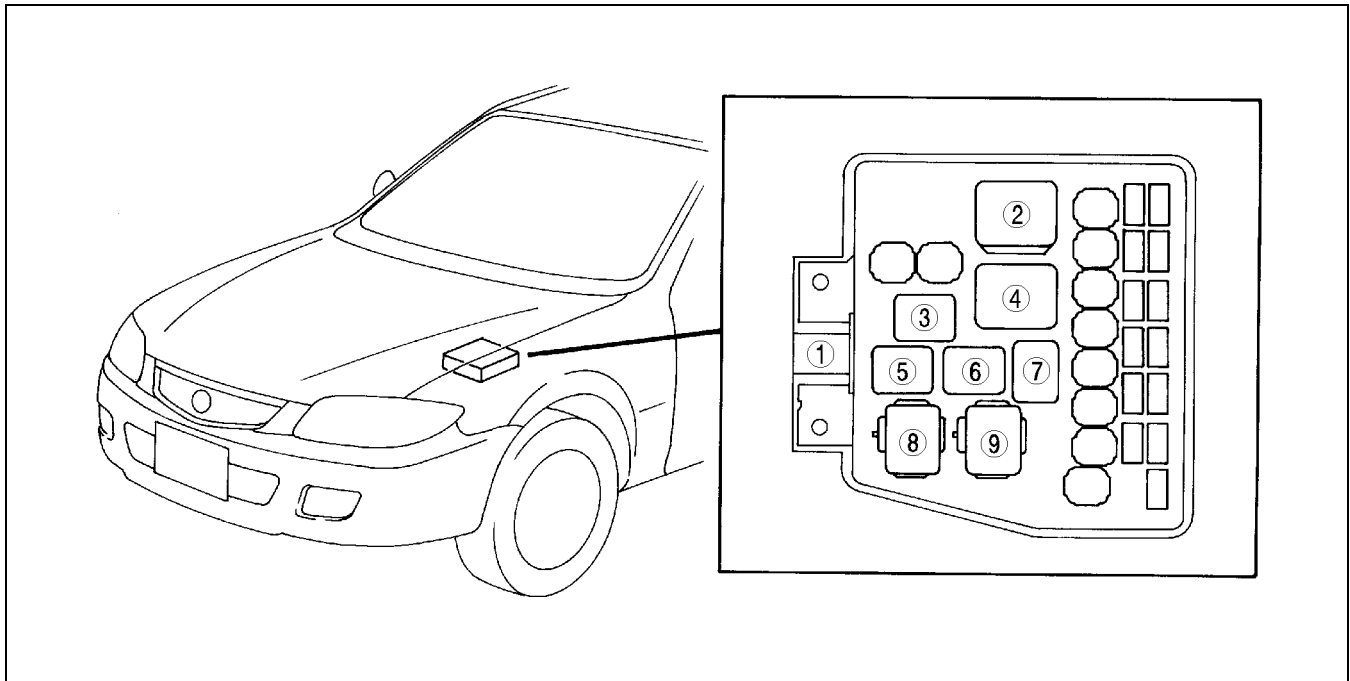
09-21 POWER SYSTEMS

LOCATION INDEX 09-21-1
 FUSE SERVICE CAUTION 09-21-2
 MAIN FUSE REMOVAL/INSTALLATION 09-21-2
 ROOM FUSE INSTALLATION 09-21-3
 FUSE BLOCK
 REMOVAL/INSTALLATION 09-21-3
 IGNITION SWITCH
 REMOVAL/INSTALLATION 09-21-3
 IGNITION SWITCH INSPECTION..... 09-21-4

KEY REMINDER SWITCH
 REMOVAL/INSTALLATION.....09-21-4
 KEY REMINDER SWITCH
 INSPECTION09-21-4
 RELAY INSPECTION.....09-21-5
 Relay type09-21-5
 Four-terminal09-21-5
 Five-terminal09-21-6
 Eight-terminal09-21-7

LOCATION INDEX

A3U092101072W01



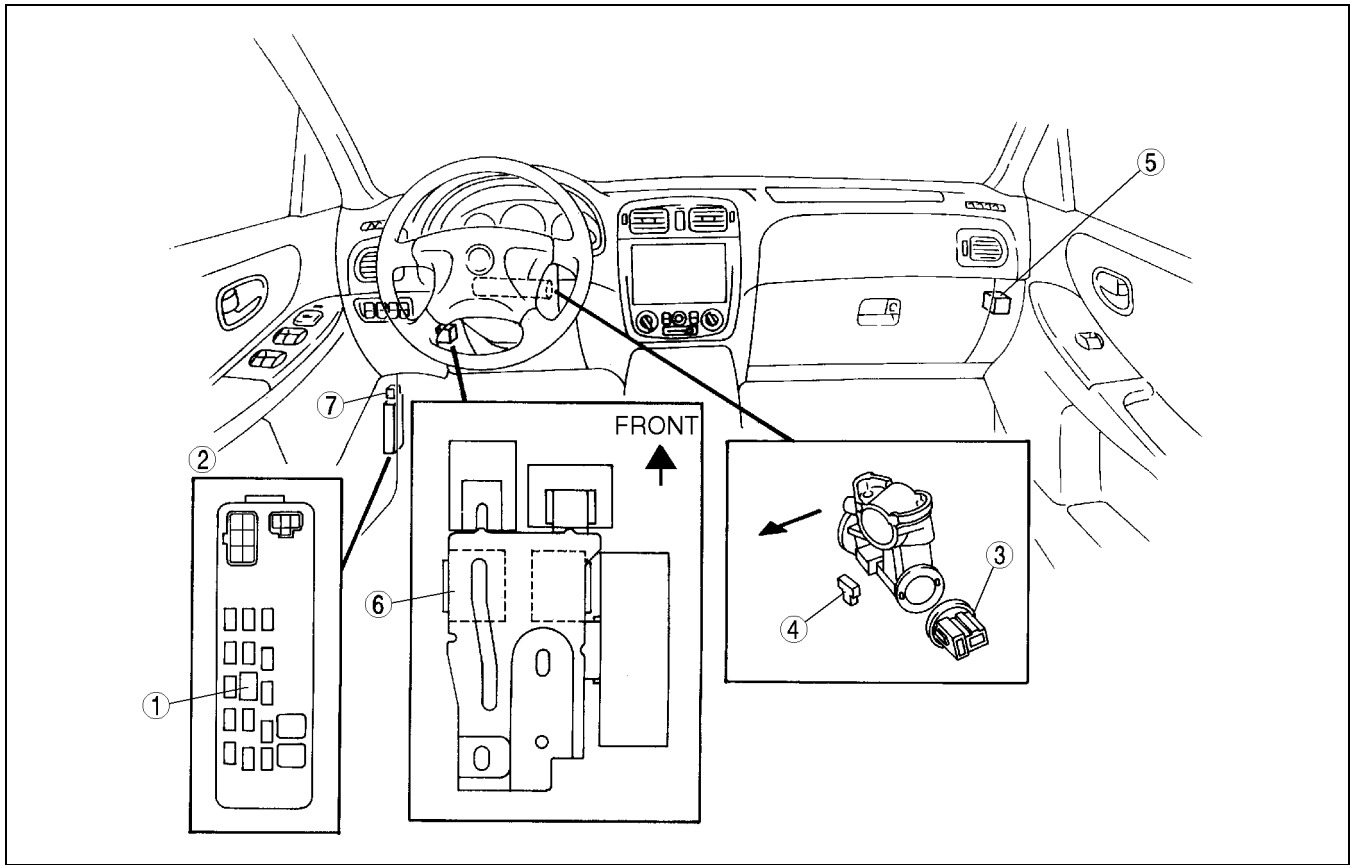
09-21

Z3U0921W007

1	Main fuse (See 09-21-2 MAIN FUSE REMOVAL/ INSTALLATION)
2	Fuel pump relay (See 09-21-5 RELAY INSPECTION)
3	A/C relay (See 09-21-5 RELAY INSPECTION)
4	Main relay (See 09-21-5 RELAY INSPECTION)

5	TNS relay (See 09-21-5 RELAY INSPECTION)
6	Horn relay (See 09-21-5 RELAY INSPECTION)
7	Headlight relay (See 09-21-5 RELAY INSPECTION)
8	Cooling fan relay (See 09-21-5 RELAY INSPECTION)
9	Condenser fan relay (See 09-21-5 RELAY INSPECTION)

POWER SYSTEMS



Z3U0921W008

1	Room fuse (See 09-21-3 ROOM FUSE INSTALLATION)
2	Fuse block (See 09-21-3 FUSE BLOCK REMOVAL/ INSTALLATION)
3	Ignition switch (See 09-21-3 IGNITION SWITCH REMOVAL/ INSTALLATION) (See 09-21-4 IGNITION SWITCH INSPECTION)

4	Key reminder switch (See 09-21-4 KEY REMINDER SWITCH REMOVAL/INSTALLATION) (See 09-21-4 KEY REMINDER SWITCH INSPECTION)
5	Blower relay (See 09-21-5 RELAY INSPECTION)
6	Front fog light relay (See 09-21-5 RELAY INSPECTION)
7	Rear window defroster relay (See 09-21-5 RELAY INSPECTION)

FUSE SERVICE CAUTION

A3U092166000W01

Caution

- Determine and correct the cause of the burnt fuse before replacing it with the specified type. If the fuse is replaced before doing this, it may burn again.

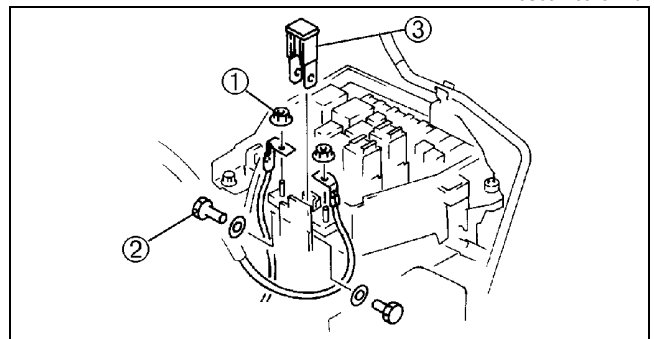
MAIN FUSE REMOVAL/INSTALLATION

A3U092166761W01

1. Disconnect the negative battery cable.
2. Remove the main fuse block cover.
3. Remove in the order indicated in the table.

1	Nut
2	Bolt
3	Main fuse

4. Install in the reverse order of removal.



X3U921WA0

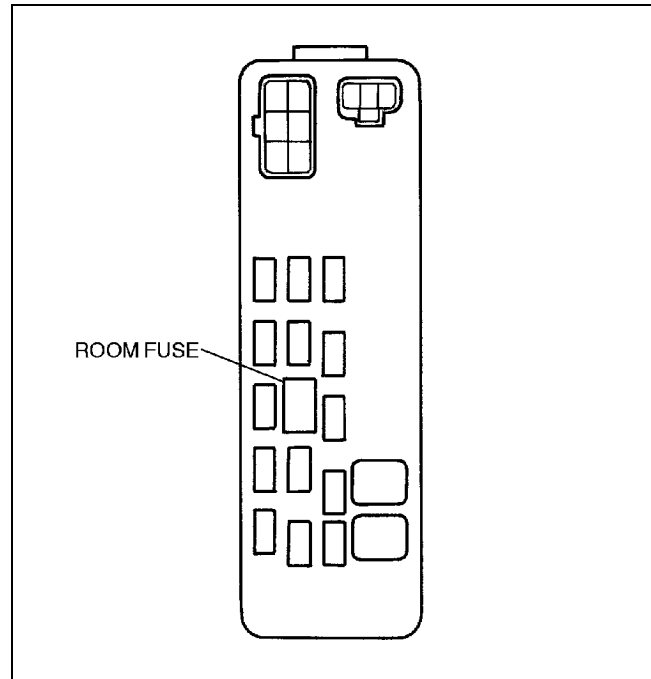
ROOM FUSE INSTALLATION

A3U092166731W01

Note

- When the ROOM fuse is burnt or removed, the malfunction indicator lamp illuminates. If the ROOM fuse is replaced or installed with the ignition switch at ON position, the malfunction indicator lamp will continue to illuminate.

- Turn the ignition switch to LOCK position.
- Install the ROOM 10 A fuse.



X3U921WA1

09-21

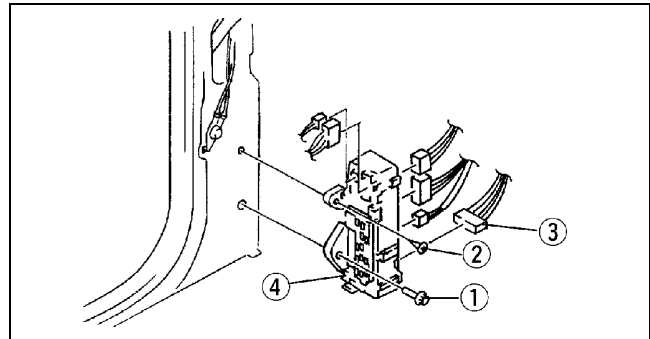
FUSE BLOCK REMOVAL/INSTALLATION

A3U092166730W01

- Disconnect the negative battery cable.
- Remove the driver-side front side trim. (See 09-17-13 FRONT SIDE TRIM REMOVAL/INSTALLATION.)
- Remove in the order indicated in the table.

1	Bolt
2	Screw
3	Connector
4	Fuse block

- Install in the reverse order of removal.



X3U921WA8

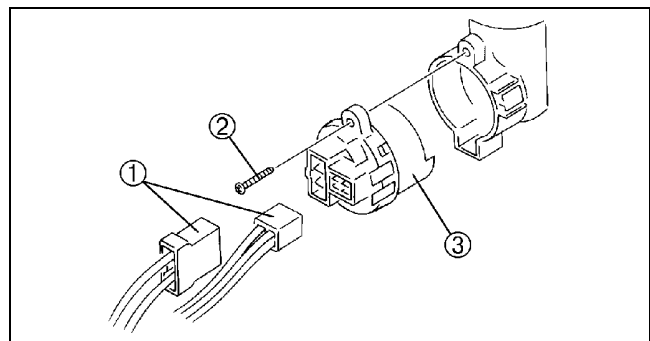
IGNITION SWITCH REMOVAL/INSTALLATION

A3U092166151W01

- Disconnect the negative battery cable.
- Remove the column cover.
- Remove in the order indicated in the table.

1	Connector
2	Screw
3	Ignition switch

- Install in the reverse order of removal.



X3U921WA2

POWER SYSTEMS

IGNITION SWITCH INSPECTION

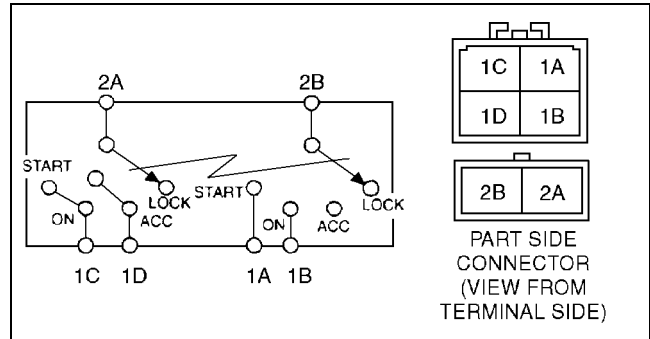
A3U092166151W02

1. Disconnect the negative battery cable.
2. Remove the column cover.
3. Disconnect the ignition switch connectors.
4. Inspect for continuity between the ignition switch terminals using an ohmmeter.
 - If not as specified, replace the ignition switch.

○—○ : Continuity

Ignition key position	Terminal					
	2A	2B	1D	1C	1B	1A
LOCK						
ACC	○—○		○—○			
ON	○—○	○—○	○—○	○—○	○—○	
START	○—○	○—○		○—○		○—○

X3U921WA3

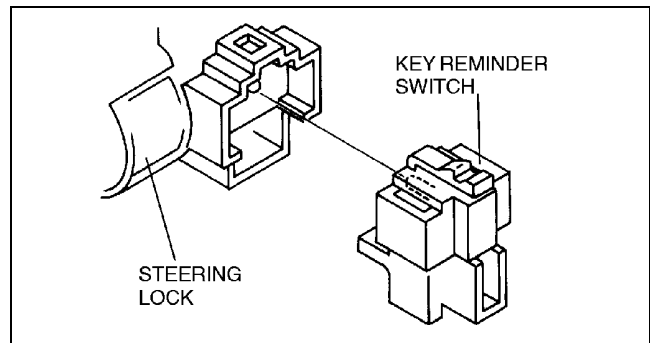


Z3U0921W001

KEY REMINDER SWITCH REMOVAL/INSTALLATION

A3U092166152W01

1. Disconnect the negative battery cable.
2. Remove the column cover.
3. Disconnect the key reminder switch connector.
4. Remove the key reminder switch.
5. Install in the reverse order of removal.



X3U921WA5

KEY REMINDER SWITCH INSPECTION

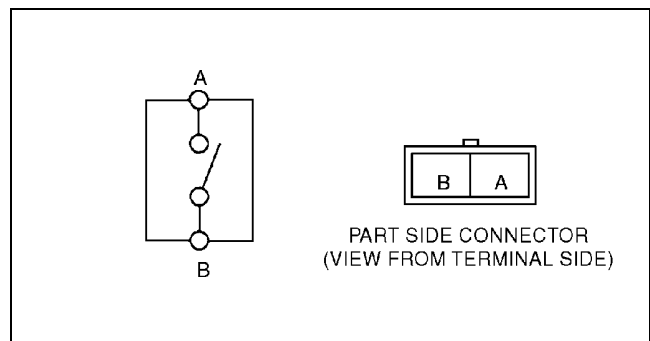
A3U092166152W02

1. Disconnect the negative battery cable.
2. Remove the column cover.
3. Disconnect the key reminder switch connector.
4. Inspect for continuity between the key reminder switch terminals using an ohmmeter.
 - If not as specified, replace the key reminder switch.

○—○ : Continuity

Key position	Terminal	
	A	B
key inserted	○—○	○—○
key removed		

X3U921WA6



Y3U921WA1

RELAY INSPECTION

A3U092167742W01

Relay type

Terminal type		Parts name
Four-terminal	Type A	<ul style="list-style-type: none"> • Front fog light relay • A/C relay • Condenser fan relay No.1 • Condenser fan relay No.2 • Cooling fan relay No.2 (KJ) • Cooling fan relay No.3 (KJ) • Rear window defroster relay • TNS relay • Woofer relay • Trunk lid opener relay • Seat warmer relay • Power window relay • Main relay
	Type B	<ul style="list-style-type: none"> • Horn relay
	Type C	<ul style="list-style-type: none"> • Starter cut relay
	Type D	<ul style="list-style-type: none"> • Fuel pump relay
Five-terminal	Type A	<ul style="list-style-type: none"> • DRL relay • Cooling fan relay (KL) • Cooling fan relay No.1 (KJ)
	Type B	<ul style="list-style-type: none"> • Headlight relay • Blower relay
Eight-terminal		<ul style="list-style-type: none"> • Sunroof relay

Four-terminal

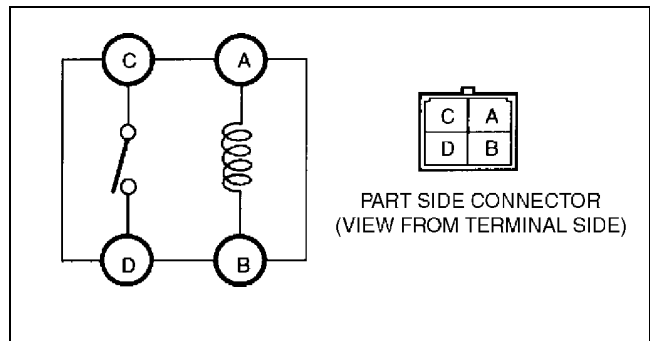
Type A

1. Remove the relay.
2. Inspect for continuity between the relay terminals using an ohmmeter.
 - If not as specified, replace the relay.

○—○: Continuity

Step	Terminal			
	A	B	C	D
1	○—○			
2	B+	GND	○—○	

ZLU0921W004



ZLU0921W003

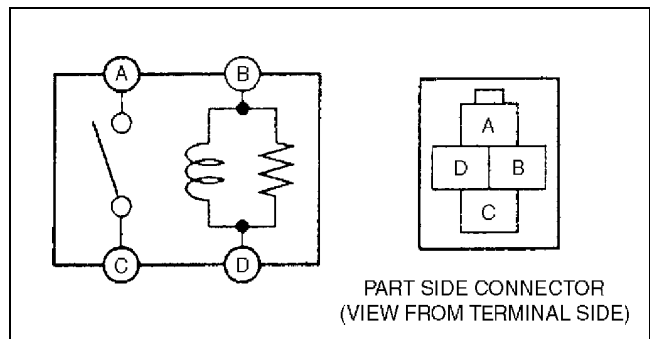
Type B

1. Remove the relay.
2. Inspect for continuity between the relay terminals using an ohmmeter.
 - If not as specified, replace the relay.

○—○: Continuity

Step	Terminal			
	D	B	A	C
1	○—○			
2	GND	B+	○—○	

ZLU0921W002



ZLU0921W001

POWER SYSTEMS

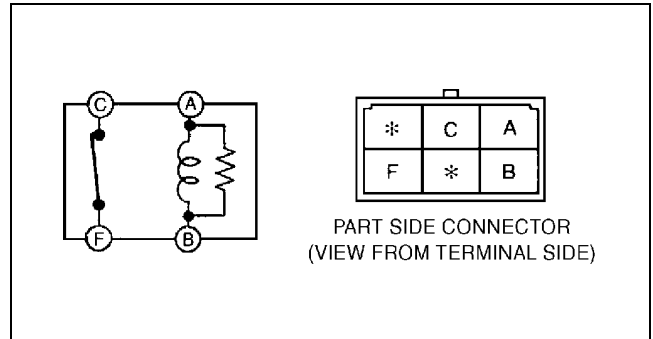
Type C

1. Remove the relay.
2. Inspect for continuity between the relay terminals using an ohmmeter.
 - If not as specified, replace the relay.

○—○: Continuity

Step	Terminal			
	A	B	C	F
1	○—○	○—○	○—○	○—○
2	B+	GND		

ZLU0921W006



ZLU0921W005

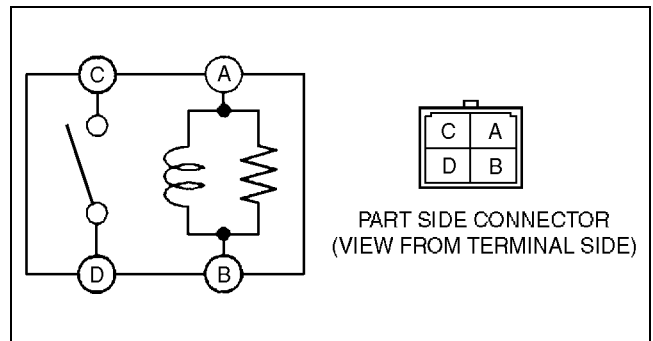
Type D

1. Remove the relay.
2. Inspect for continuity between the relay terminals using an ohmmeter.
 - If not as specified, replace the relay.

○—○: Continuity

Step	Terminal			
	A	B	C	D
1	○—○	○—○		
2	B+	GND	○—○	○—○

ZLU0921W007



ZLU0921WA0

Five-terminal

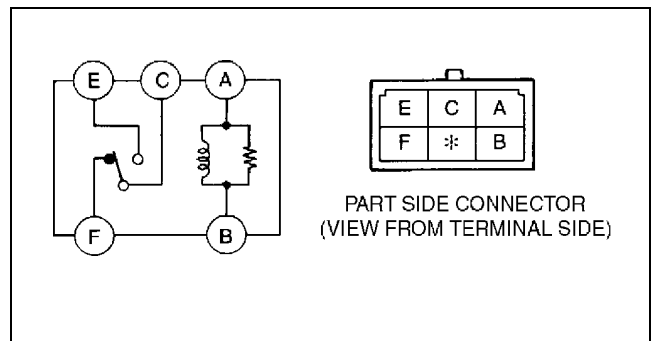
Type A

1. Remove the relay.
2. Inspect for continuity between the relay terminals using an ohmmeter.
 - If not as specified, replace the relay.

○—○: Continuity

Step	Terminal				
	A	B	E	C	F
1	○—○	○—○		○—○	○—○
2	GND	B+	○—○	○—○	

ZLU0921W009



ZLU0921W008

POWER SYSTEMS

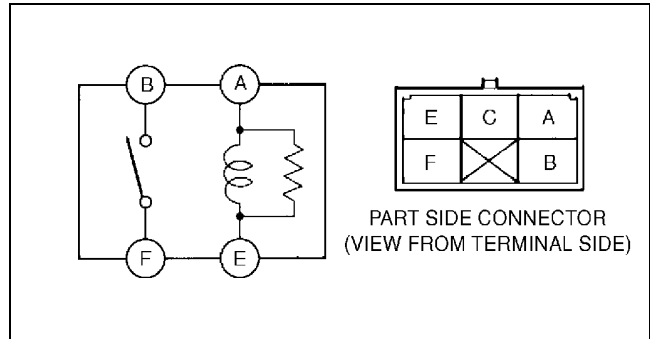
Type B

1. Remove the relay.
2. Inspect for continuity between the relay terminals using an ohmmeter.
 - If not as specified, replace the relay.

○—○: Continuity

Step	Terminal			
	A	E	B	F
1	○—○	○—○		
2	GND	B+	○—○	○—○

ZLU0921W011



ZLU0921W010

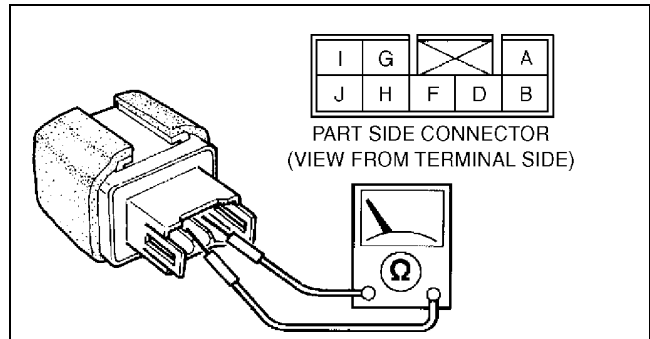
Eight-terminal

1. Remove the relay.
2. Inspect for continuity between the relay terminals using an ohmmeter.
 - If not as specified, replace the relay.

○—○: Continuity

Connection		Terminal			
B+	GND	A	D	G	I
—	—	○—○	○—○		○—○
H	J	○—○	○—○	○—○	○—○
F	B	○—○	○—○	○—○	○—○

ZLU0921W013



ZLU0921W012