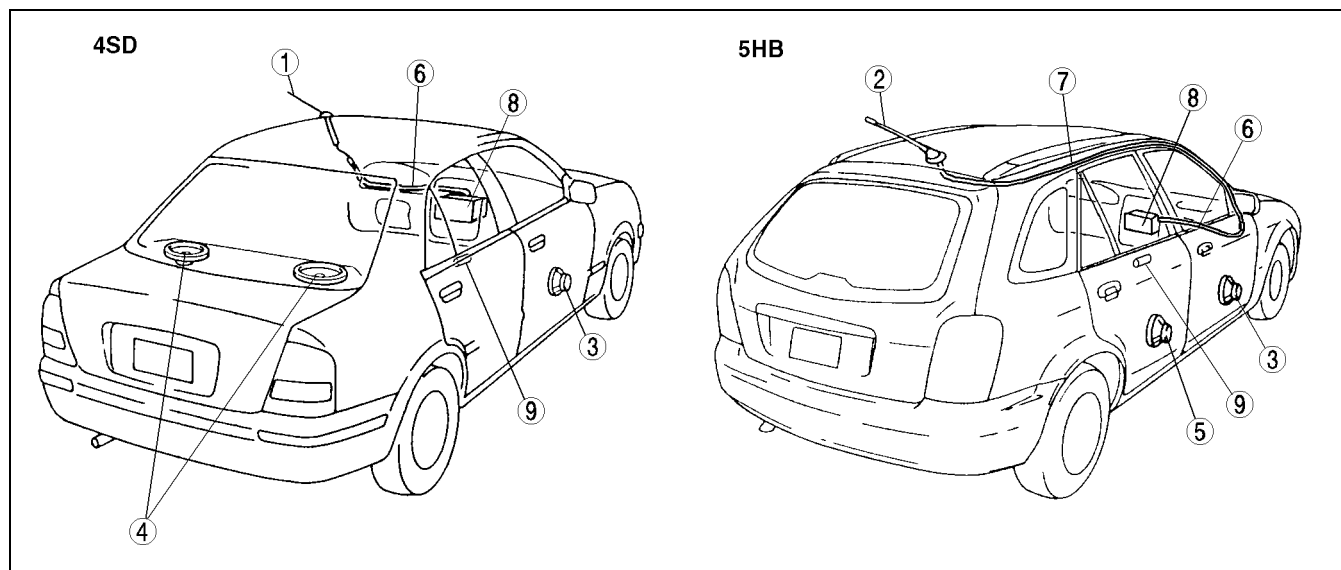


# 09-20 ENTERTAINMENT

LOCATION INDEX ..... 09-20-1  
 PILLAR ANTENNA REMOVAL..... 09-20-2  
 PILLAR ANTENNA INSTALLATION ... 09-20-2  
 PILLAR ANTENNA INSPECTION..... 09-20-2  
 REAR CENTER ROOF ANTENNA  
 REMOVAL/INSTALLATION ..... 09-20-3  
 REAR CENTER ROOF ANTENNA  
 INSPECTION..... 09-20-3  
 FRONT DOOR SPEAKER  
 REMOVAL/INSTALLATION ..... 09-20-3  
 REAR DOOR SPEAKER  
 REMOVAL/INSTALLATION ..... 09-20-3  
 DOOR SPEAKER INSPECTION..... 09-20-4  
 REAR PACKAGE SPEAKER  
 REMOVAL/INSTALLATION ..... 09-20-4  
 REAR PACKAGE SPEAKER  
 INSPECTION ..... 09-20-4  
 FRONT ANTENNA FEEDER  
 REMOVAL/INSTALLATION ..... 09-20-5  
 FRONT ANTENNA FEEDER  
 INSPECTION ..... 09-20-5

REAR ANTENNA FEEDER  
 REMOVAL/INSTALLATION..... 09-20-5  
 REAR ANTENNA FEEDER  
 INSPECTION ..... 09-20-6  
 AUDIO UNIT REMOVAL ..... 09-20-6  
 AUDIO UNIT INSTALLATION ..... 09-20-6  
 UPPER MODULE  
 REMOVAL/INSTALLATION..... 09-20-7  
 Upper Module Removal Note ..... 09-20-7  
 Cover Removal Note..... 09-20-7  
 Screw Installation Note..... 09-20-7  
 LOWER MODULE  
 REMOVAL/INSTALLATION..... 09-20-8  
 Cover Removal Note..... 09-20-8  
 Screw Installation Note..... 09-20-8  
 CIGARETTE LIGHTER  
 REMOVAL/INSTALLATION..... 09-20-8  
 Socket Removal Note ..... 09-20-9  
 Ring Removal Note..... 09-20-9  
 CIGARETTE LIGHTER INSPECTION ... 09-20-9

## LOCATION INDEX



A3U0920W102

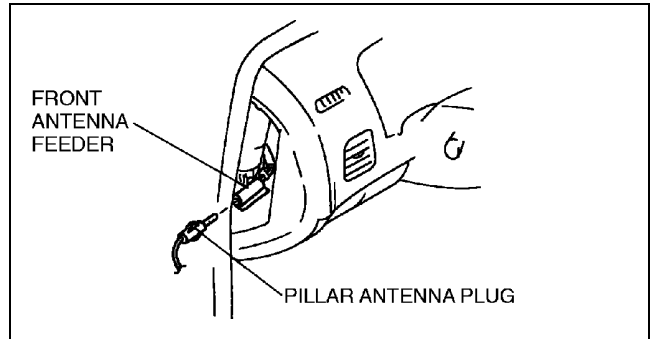
1	Pillar antenna (See 09-20-2 PILLAR ANTENNA REMOVAL) (See 09-20-2 PILLAR ANTENNA INSTALLATION) (See 09-20-2 PILLAR ANTENNA INSPECTION)
2	Rear center roof antenna (See 09-20-3 REAR CENTER ROOF ANTENNA REMOVAL/INSTALLATION) (See 09-20-3 REAR CENTER ROOF ANTENNA INSPECTION)
3	Front door speaker (See 09-20-3 FRONT DOOR SPEAKER REMOVAL/INSTALLATION) (See 09-20-4 DOOR SPEAKER INSPECTION)
4	Rear package speaker (See 09-20-4 REAR PACKAGE SPEAKER REMOVAL/INSTALLATION) (See 09-20-4 REAR PACKAGE SPEAKER INSPECTION)

5	Rear door speaker (See 09-20-3 REAR DOOR SPEAKER REMOVAL/ INSTALLATION) (See 09-20-4 DOOR SPEAKER INSPECTION)
6	Front antenna feeder (See 09-20-5 FRONT ANTENNA FEEDER REMOVAL/INSTALLATION) (See 09-20-5 FRONT ANTENNA FEEDER INSPECTION)
7	Rear antenna feeder (See 09-20-5 REAR ANTENNA FEEDER REMOVAL/INSTALLATION) (See 09-20-6 REAR ANTENNA FEEDER INSPECTION)
8	Audio unit (See 09-20-6 AUDIO UNIT REMOVAL) (See 09-20-6 AUDIO UNIT INSTALLATION)

9	Cigarette lighter (See 09-20-8 CIGARETTE LIGHTER REMOVAL/ INSTALLATION) (See 09-20-9 CIGARETTE LIGHTER INSPECTION)
---	--

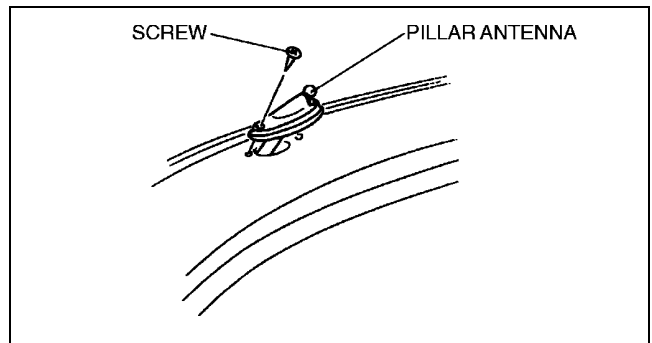
### PILLAR ANTENNA REMOVAL

1. Disconnect the negative battery cable.
2. Remove the driver-side front side trim. (See 09-17-13 FRONT SIDE TRIM REMOVAL/INSTALLATION.)
3. Disconnect the pillar antenna plug.



X3U920WA8

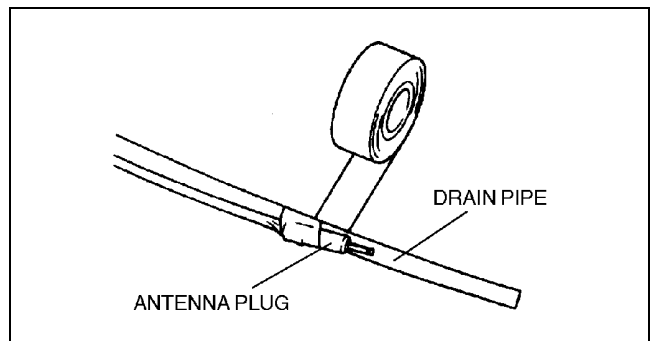
4. Remove the screw and pull out the pillar antenna.



X3U920WA9

### PILLAR ANTENNA INSTALLATION

1. Tape the antenna plug to the antenna drain pipe.
2. Pass the pillar antenna and antenna drain pipe through the A-pillar from the hole in the roof.
3. Install the screws and install the roof antenna.
4. Connect the antenna plug.
5. Install the driver-side front side trim. (See 09-17-13 FRONT SIDE TRIM REMOVAL/INSTALLATION.)
6. Connect the negative battery cable.



X3U920WAA

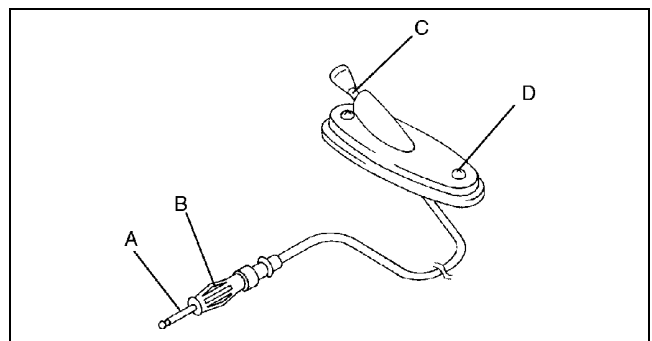
### PILLAR ANTENNA INSPECTION

1. Remove the driver-side front side trim. (See 09-17-13 FRONT SIDE TRIM REMOVAL/INSTALLATION.)
2. Disconnect the pillar antenna plug.
3. Verify that there is no continuity between pillar antenna terminal A and B using an ohmmeter.
  - If not as specified, replace the pillar antenna.
4. Inspect for continuity between the pillar antenna terminals using an ohmmeter.
  - If not as specified, replace the pillar antenna.

○—○ : Continuity

Step	Terminal			
	A	B	C	D
1	○	—	○	—
2	—	○	—	○

X3U920WAB



X3U920WAC

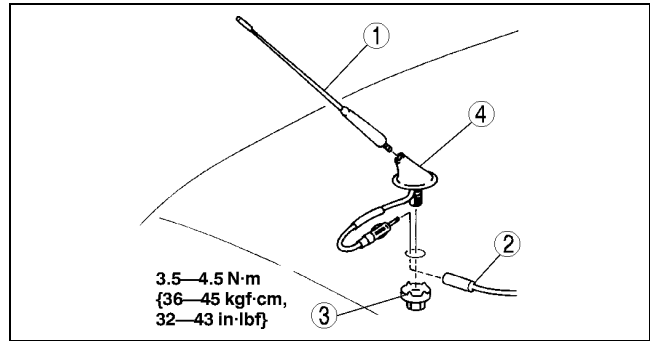
## REAR CENTER ROOF ANTENNA REMOVAL/INSTALLATION

A3U092066939W01

1. Disconnect the negative battery cable.
2. Remove the headliner. (See 09-17-16 HEADLINER REMOVAL/INSTALLATION.)
3. Remove in the order indicated in the table.

1	Antenna rod
2	Rear center roof antenna feeder
3	Nut
4	Rear center roof antenna

4. Install in the reverse order of removal.
5. After installation, verify that the rubber of the rear center roof antenna is installed to the roof panel with no space between them.



Y3A8124W001

## REAR CENTER ROOF ANTENNA INSPECTION

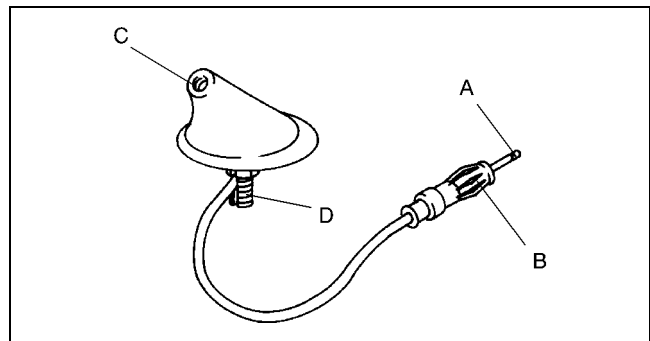
A3U092066939W02

1. Remove the headliner. (See 09-17-16 HEADLINER REMOVAL/INSTALLATION.)
2. Disconnect the rear center roof antenna jack.
3. Remove the antenna rod.
4. Verify that there is no continuity between roof antenna terminals A and B using an ohmmeter.
5. Inspect for continuity between the rear center roof antenna terminals using an ohmmeter.
  - If not as specified, replace the rear center roof antenna.

○—○ : Continuity

Step	Terminal			
	A	B	C	D
1	○		○	
2		○		○

Y3A8124W002

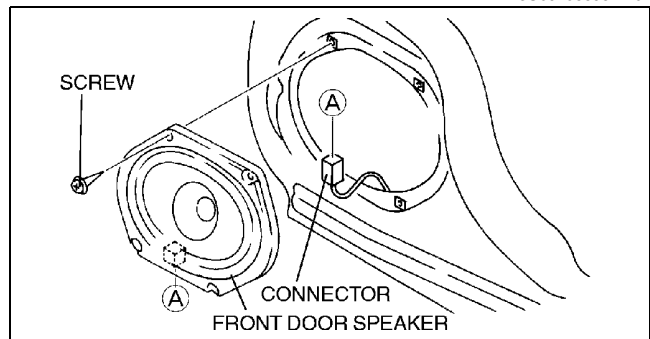


Y3A8124W003

## FRONT DOOR SPEAKER REMOVAL/INSTALLATION

A3U092066961W01

1. Disconnect the negative battery cable.
2. Remove the front door trim. (See 09-17-9 FRONT DOOR TRIM REMOVAL/INSTALLATION.)
3. Remove the screws.
4. Disconnect the connector and remove the front door speaker.
5. Install in the reverse order of removal.

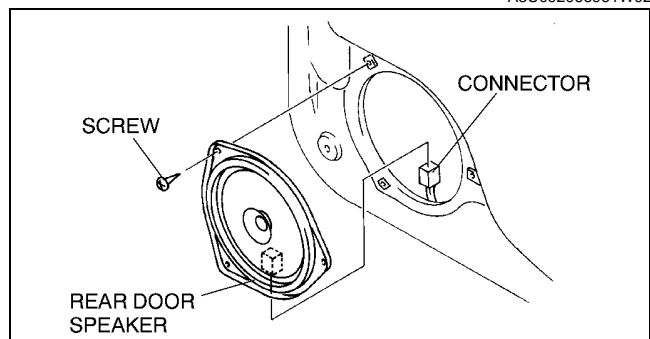


X3U920WA2

## REAR DOOR SPEAKER REMOVAL/INSTALLATION

A3U092066961W02

1. Disconnect the negative battery cable.
2. Remove the rear door trim. (See 09-17-9 REAR DOOR TRIM REMOVAL/INSTALLATION.)
3. Remove the screws.
4. Disconnect the connector and remove the rear door speaker.
5. Install in the reverse order of removal.



A3U0920W001

## DOOR SPEAKER INSPECTION

A3U092066961W03

1. Remove the door speaker.
2. Inspect for resistance between the door speaker terminals using an ohmmeter.

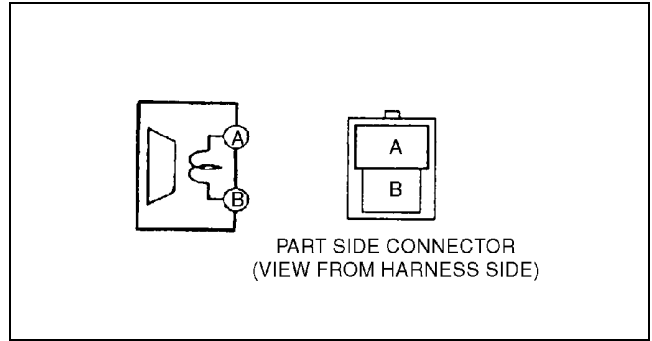
○—W—○ : Resistance

Test condition	Terminal	
	A	B
Constant	○—W—○	○ R

R: 4 ohms

Z3U0920W002

3. To verify that the speakers output sound, apply voltage to each speaker and release using a 1.5-V battery.
  - If not as specified, replace the door speaker.

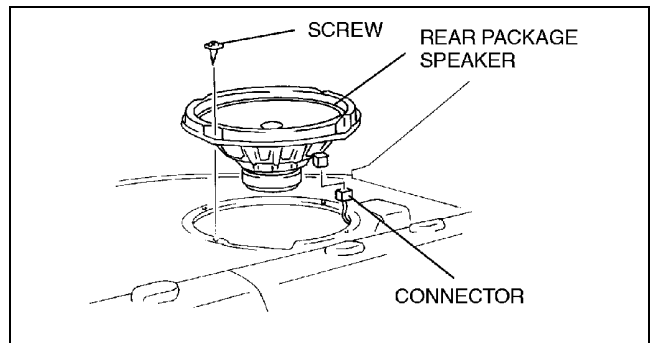


Y3U920WA0

## REAR PACKAGE SPEAKER REMOVAL/INSTALLATION

A3U092066964W01

1. Disconnect the negative battery cable.
2. Remove the rear package trim. (See 09–17–12 REAR PACKAGE TRIM REMOVAL/INSTALLATION.)
3. Remove the screws.
4. Disconnect the connector and remove the rear package speaker.
5. Install in the reverse order of removal.



X3U920WA5

## REAR PACKAGE SPEAKER INSPECTION

A3U092066964W02

1. Remove the rear package speaker.
2. Inspect for resistance between the rear package speaker terminals using an ohmmeter.

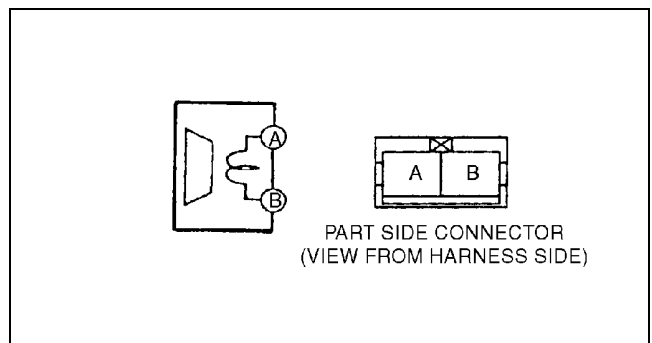
○—W—○ : Resistance

Test condition	Terminal	
	A	B
Constant	○—W—○	○ R

R: 4 ohms

Z3U0920W002

3. To verify that the speakers output sound, apply voltage to each speaker and release using a 1.5-V battery.
  - If not as specified, replace the rear package speaker.



Y3U920WA1

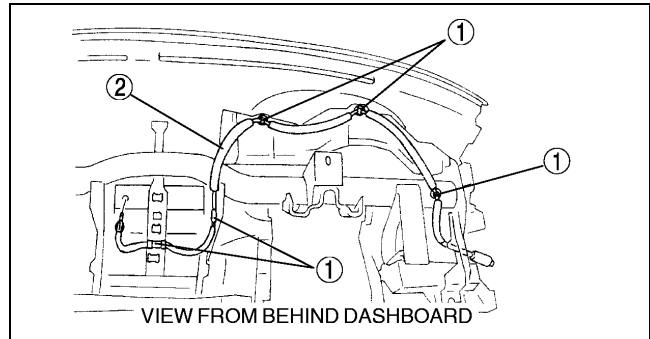
## FRONT ANTENNA FEEDER REMOVAL/INSTALLATION

A3U092066941W01

1. Disconnect the negative battery cable.
2. Remove the audio unit. (See 09–20–6 AUDIO UNIT REMOVAL.) (See 09–20–6 AUDIO UNIT INSTALLATION.)
3. Remove the driver-side front side trim. (See 09–17–13 FRONT SIDE TRIM REMOVAL/INSTALLATION.)
4. Disconnect the connection between the pillar antenna and the front antenna feeder.
5. Remove in the order indicated in the table.

1	Clip
2	Front antenna feeder

6. Install in the reverse order of removal.



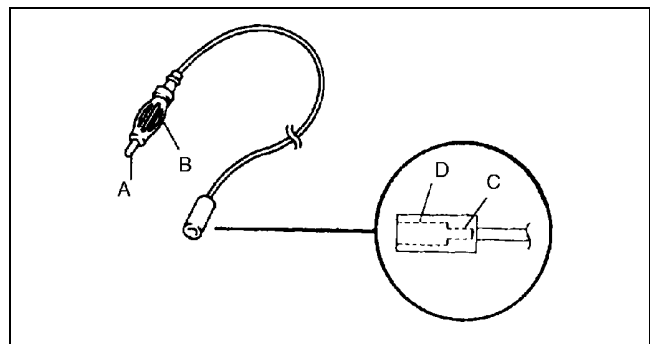
X3U920WAD

## FRONT ANTENNA FEEDER INSPECTION

A3U092066941W02

1. Disconnect the negative battery cable.
2. Remove the audio unit. (See 09–20–6 AUDIO UNIT REMOVAL.) (See 09–20–6 AUDIO UNIT INSTALLATION.)
3. Remove the driver-side front side trim. (See 09–17–13 FRONT SIDE TRIM REMOVAL/INSTALLATION.)
4. Disconnect the connection between the pillar antenna and the front antenna feeder.
5. Verify that there is no continuity between the front antenna feeder terminals A and B using an ohmmeter.
  - If not as specified, replace the front antenna feeder.
6. Inspect for continuity between the front antenna feeder terminals using an ohmmeter.
  - If not as specified, replace the front antenna feeder.

09–20



X3U920WAF

○—○ : Continuity

Step	Terminal			
	A	B	C	D
1	○—○		○—○	
2		○—○		○—○

X3U920WAE

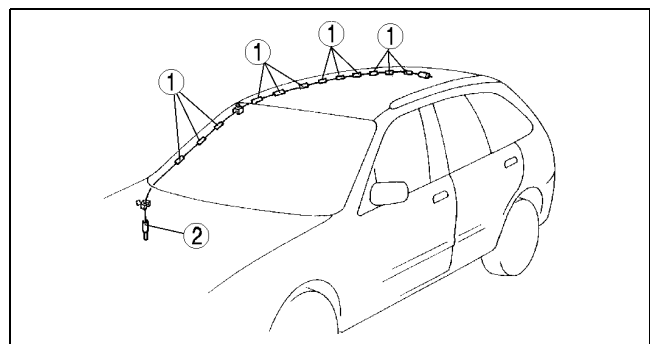
## REAR ANTENNA FEEDER REMOVAL/INSTALLATION

A3U092066942W01

1. Disconnect the negative battery cable.
2. Remove the right-side front side trim. (See 09–17–13 FRONT SIDE TRIM REMOVAL/INSTALLATION.)
3. Remove the right-side A-pillar trim. (See 09–17–10 A-PILLAR TRIM REMOVAL/INSTALLATION.)
4. Remove the headliner. (See 09–17–16 HEADLINER REMOVAL/INSTALLATION.)
5. Disconnect the connector between the rear center roof antenna and rear antenna feeder.
6. Disconnect the connector between the front antenna feeder and rear antenna feeder.
7. Remove in the order indicated in the table.

1	Clip
2	Rear antenna feeder

8. Install in the reverse order of removal.



Y3A8124W004

# ENTERTAINMENT

## REAR ANTENNA FEEDER INSPECTION

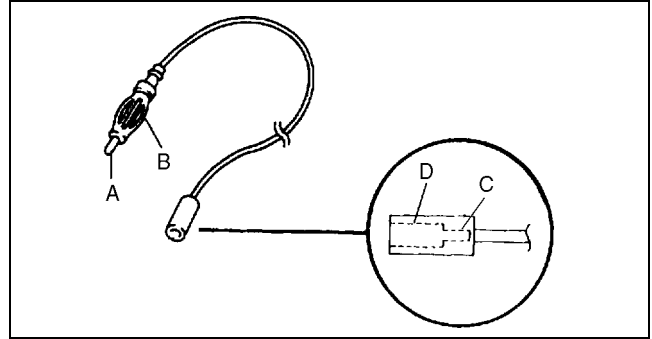
A3U092066942W02

1. Remove the rear antenna feeder.
2. Verify that there is no continuity between rear antenna feeder terminals A and B using an ohmmeter.
3. Inspect for continuity between the rear antenna feeder terminals using an ohmmeter.
  - If not as specified, replace the rear antenna feeder.

○—○ : Continuity

Step	Terminal			
	A	B	C	D
1	○	—	○	
2		○	—	○

Y3A8124W002



A3U0920W101

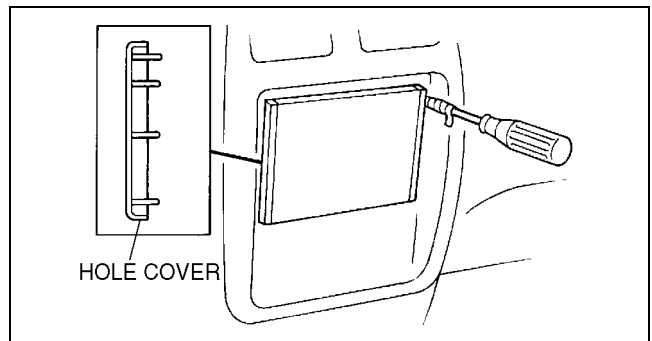
## AUDIO UNIT REMOVAL

A3U092066900W01

1. Disconnect the negative battery cable.
2. Remove the hole covers by inserting a small tape-wrapped screwdriver into the slot and carefully pry them off without scratching the center panel. Pry up and pull off the hole covers carefully to prevent the posts from breaking off.
3. With the beveled parts of the **SST** facing inward, insert them into the unit.

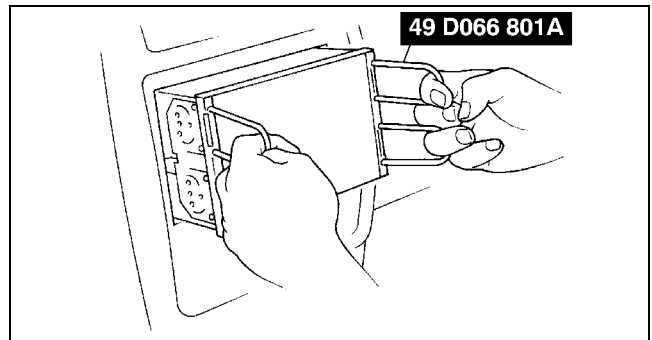
### Note

- Two sets of the **SSTs** are necessary to remove the audio unit.



YDE81241201

4. Pull the **SST** outward and forward to slide out the unit.
5. Disconnect the connectors and antenna jack.



YDJ8124W107

## AUDIO UNIT INSTALLATION

A3U092066900W02

### Caution

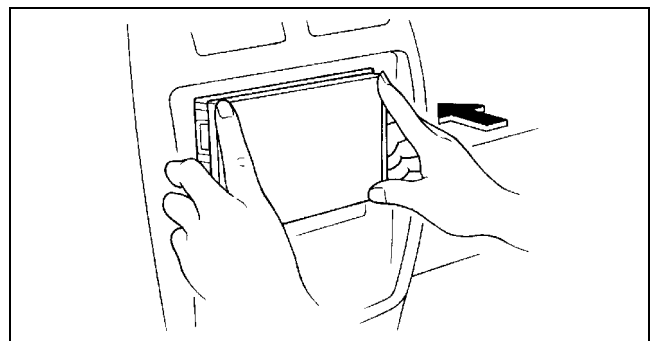
- Make certain that the wiring harness and antenna feeder are not caught between the unit and dashboard. If the harness or the antenna feeder is caught between the unit and dashboard, it may become the cause of trouble or malfunctions.

1. Connect the connectors and antenna jack.
2. Insert the unit until each clip clicks into place.

### Caution

- To install audio unit, be sure to push service hole cover areas on both sides of the audio unit. If switches are pressed instead, it may become the cause of trouble or malfunctions.

3. Install the service hole covers.
4. Connect the negative battery cable.



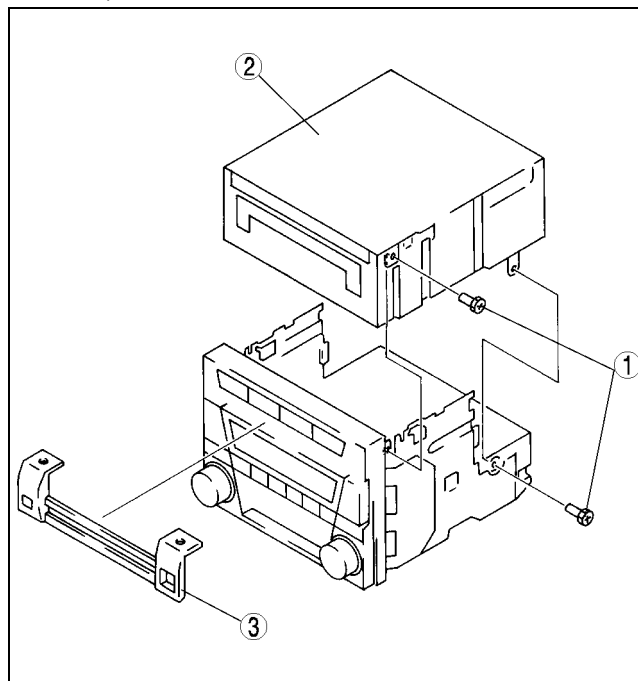
YDJ8124W108

## UPPER MODULE REMOVAL/INSTALLATION

1. Disconnect the negative battery cable.
2. Remove the audio unit. (See 09–20–6 AUDIO UNIT REMOVAL.)
3. Remove in the order indicated in the table.

1	Screw (See 09–20–7 Screw Installation Note)
2	Upper module (See 09–20–7 Upper Module Removal Note)
3	Cover (See 09–20–7 Cover Removal Note)

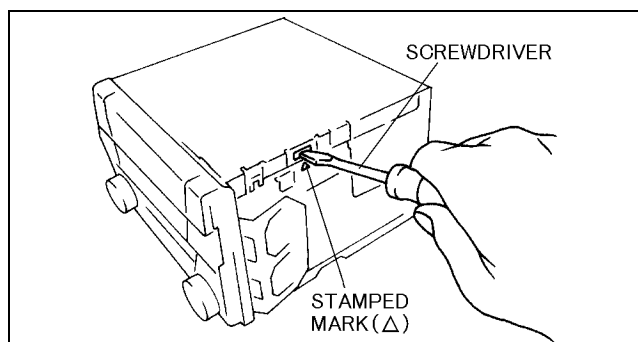
4. Install in the reverse order of removal.



Y5J8124W004

### Upper Module Removal Note

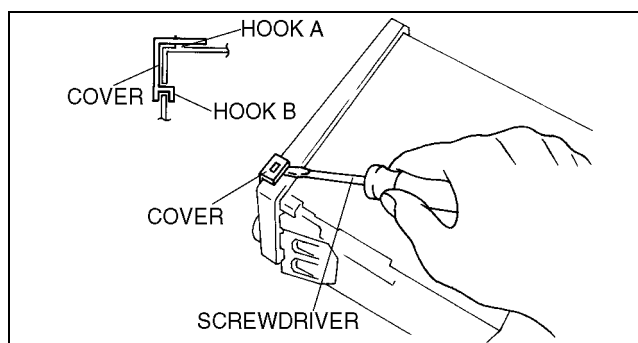
1. Insert a screwdriver into the hole stamped mark.
2. To remove upper module, lift it by pushing down the screwdriver's handle.



YLE8124W005

### Cover Removal Note

1. Insert a tape-wrapped screwdriver between the cover and the base unit, then unlatch hook A.
2. To unlatch hook B, pull the cover upward.



YLE8124W006

### Screw Installation Note

#### Caution

- If an undesignated screw is used, the inside of the upper module could be damaged. When installing the module, be sure to use a designated screw (red).

# ENTERTAINMENT

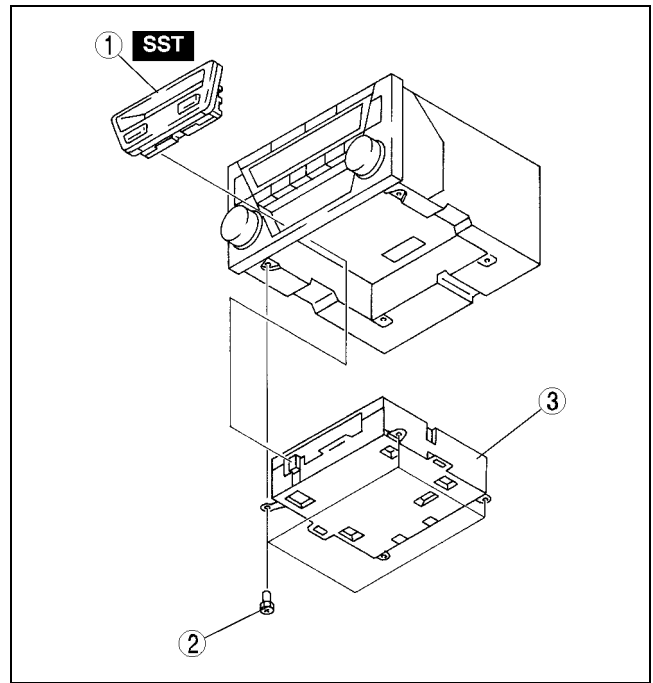
A3U092066900W04

## LOWER MODULE REMOVAL/INSTALLATION

1. Disconnect the negative battery cable.
2. Remove the audio unit. (See 09-20-6 AUDIO UNIT REMOVAL.)
3. Remove in the order indicated in the table.

1	Cover (See 09-20-8 Cover Removal Note)
2	Screw (See 09-20-8 Screw Installation Note)
3	Lower module

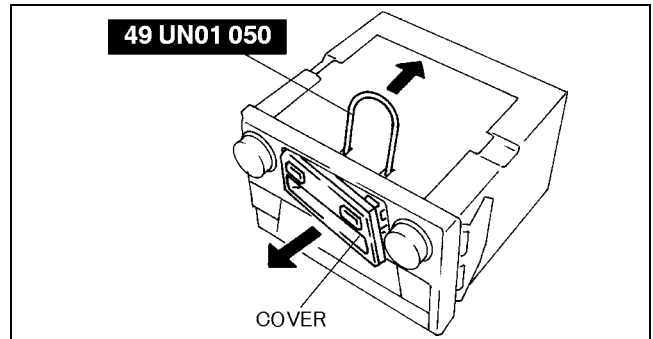
4. Install in the reverse order of removal.



YLE8124W007

### Cover Removal Note

1. Insert the **SST** into the service holes on the bottom surface of the lower module.
2. To remove the cover, push the **SST** in the direction shown by the arrow.



ZLU0920W003

### Screw Installation Note

#### Caution

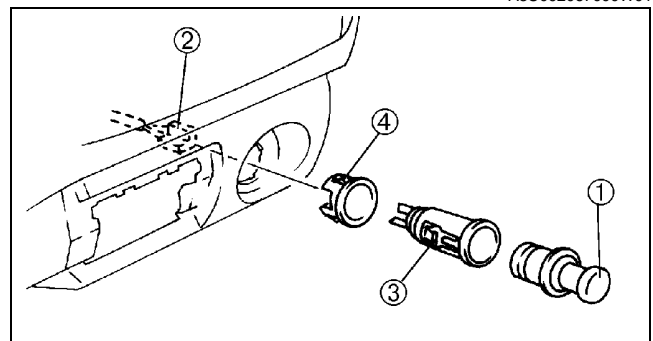
- If an undesignated screw is used, the inside of the upper module could be damaged. When installing the module, be sure to use a designated screw (red).

## CIGARETTE LIGHTER REMOVAL/INSTALLATION

1. Disconnect the negative battery cable.
2. Remove the console. (See 09-17-5 CONSOLE REMOVAL/INSTALLATION.)
3. Remove in the order indicated in the table.

1	Cigarette lighter plug
2	Connector
3	Socket (See 09-20-9 Socket Removal Note)
4	Ring (See 09-20-9 Ring Removal Note)

4. Install in the reverse order of removal.



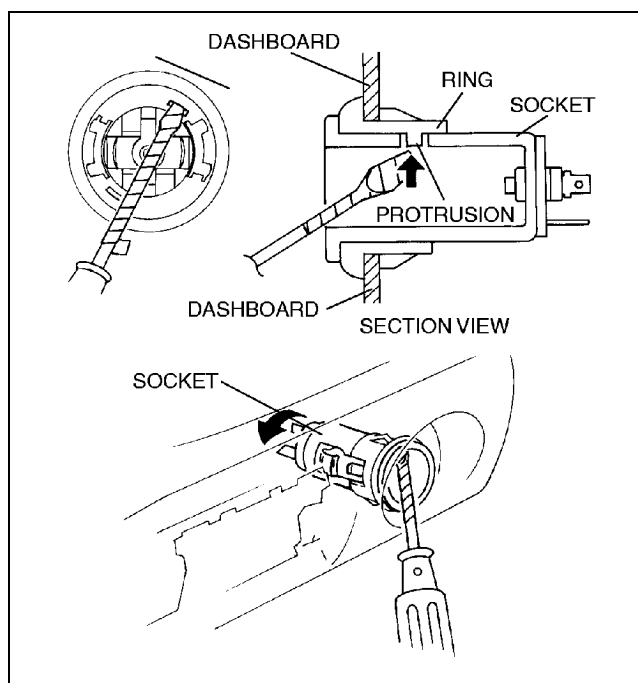
A3U092067000W01

X3U920WAG



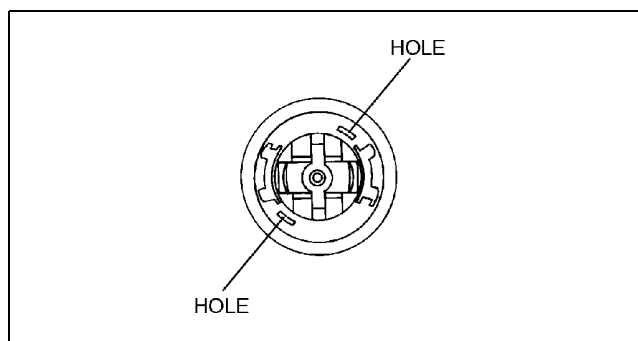
## Socket Removal Note

1. Turn the socket while pushing the protrusion of the ring through the hole of the socket with a tape-wrapped screwdriver.
2. Push the socket forward.



X3U920WAH

3. Return the socket clockwise to original angle position as shown to pull it out forward.

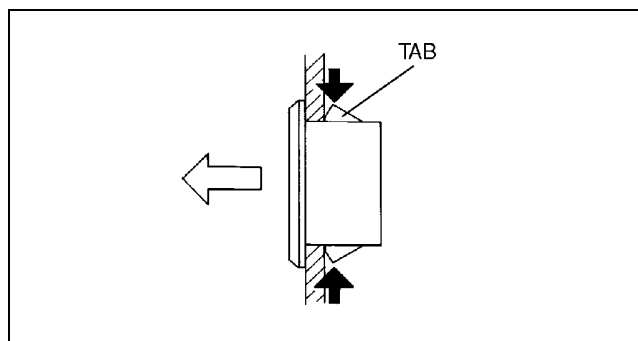


X3U920WAJ

09-20

## Ring Removal Note

1. Pull the ring forward while pushing the tabs.



Y3U920WA3

## CIGARETTE LIGHTER INSPECTION

A3U092067000W02

1. Turn the ignition switch to ACC position.
2. Verify that the cigarette lighter plug will move normally within **10—20 seconds**, after pressing the plug into the socket.
  - If the cigarette lighter does not operate normally, replace the cigarette lighter and socket. (See 09-20-8 CIGARETTE LIGHTER REMOVAL/INSTALLATION.)