

09-17 INTERIOR TRIM

DASHBOARD		B-PILLAR LOWER TRIM	
REMOVAL/INSTALLATION	09-17-1	INSTALLATION	09-17-11
DASHBOARD		B-PILLAR UPPER TRIM	
DISASSEMBLY/ASSEMBLY	09-17-3	REMOVAL/INSTALLATION	09-17-11
VENTILATOR GRILLE		C-PILLAR TRIM	
REMOVAL/INSTALLATION	09-17-3	REMOVAL/INSTALLATION	09-17-11
Center Side	09-17-3	4SD	09-17-11
Driver's side	09-17-4	5HB	09-17-12
Passenger's side	09-17-4	REAR PACKAGE TRIM	
CENTER PANEL		REMOVAL/INSTALLATION	09-17-12
REMOVAL/INSTALLATION	09-17-4	4SD	09-17-12
COLUMN COVER		5HB	09-17-12
REMOVAL/INSTALLATION	09-17-5	FRONT SCUFF PLATE	
CONSOLE ADJUSTMENT	09-17-5	REMOVAL/INSTALLATION	09-17-13
CONSOLE REMOVAL/INSTALLATION .	09-17-5	REAR SCUFF PLATE	
Boot Panel Removal Note	09-17-6	REMOVAL/INSTALLATION	09-17-13
Console Cover Removal Note	09-17-6	FRONT SIDE TRIM	
CONSOLE DISASSEMBLY/ASSEMBLY	09-17-6	REMOVAL/INSTALLATION	09-17-13
GLOVE COMPARTMENT		TIRE HOUSE TRIM	
REMOVAL/INSTALLATION	09-17-7	REMOVAL/INSTALLATION	09-17-13
LOWER PANEL		4SD	09-17-13
REMOVAL/INSTALLATION	09-17-7	5HB	09-17-14
Driver's side	09-17-7	TRUNK END TRIM	
Passenger's side	09-17-7	REMOVAL/INSTALLATION	09-17-14
METER HOOD		TRUNK SIDE TRIM	
REMOVAL/INSTALLATION	09-17-8	REMOVAL/INSTALLATION	09-17-15
SIDE PANEL		4SD	09-17-15
REMOVAL/INSTALLATION	09-17-8	5HB	09-17-15
SIDE WALL REMOVAL/INSTALLATION	09-17-8	TRUNK SIDE UPPER TRIM	
FRONT DOOR TRIM		REMOVAL/INSTALLATION	09-17-15
REMOVAL/INSTALLATION	09-17-9	LIFTGATE TRIM	
REAR DOOR TRIM		REMOVAL/INSTALLATION	09-17-16
REMOVAL/INSTALLATION	09-17-9	HEADLINER	
A-PILLAR TRIM		REMOVAL/INSTALLATION	09-17-16
REMOVAL/INSTALLATION	09-17-10	FLOOR COVERING	
B-PILLAR LOWER TRIM REMOVAL . . .	09-17-10	REMOVAL/INSTALLATION	09-17-17

09-17

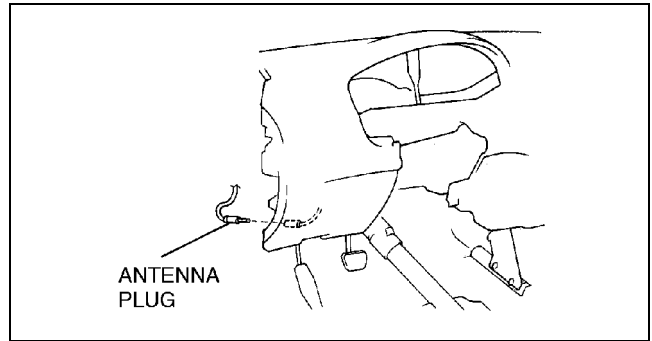
DASHBOARD REMOVAL/INSTALLATION

A3U091755100W01

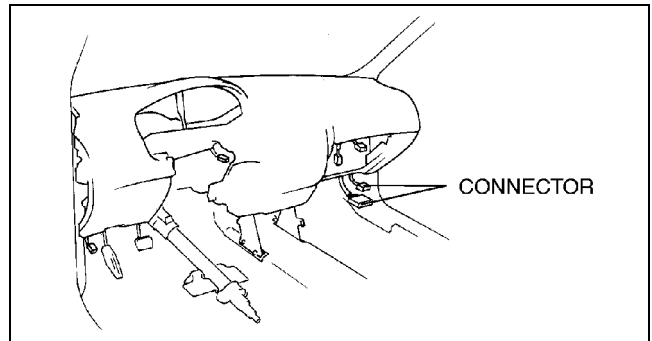
1. Remove the passenger-side air bag module if equipped. (See 08-10-6 PASSENGER-SIDE AIR BAG MODULE REMOVAL/INSTALLATION.)
2. Remove the combination switch. (See 09-18-12 COMBINATION SWITCH REMOVAL/INSTALLATION.)
3. Remove the installation bolts then shift the assembled steering shaft in the dashboard. (See 06-12-6 STEERING WHEEL AND COLUMN REMOVAL/INSTALLATION.)
4. Remove the instrument cluster. (See 09-22-3 INSTRUMENT CLUSTER REMOVAL/INSTALLATION.)
5. Remove the console. (See 09-17-5 CONSOLE REMOVAL/INSTALLATION.)
6. Remove the glove compartment.
7. Remove the lower panel.
8. Remove the hood release cable installation nut.
9. Remove the side wall.
10. Remove the A-pillar trim. (See 09-17-10 A-PILLAR TRIM REMOVAL/INSTALLATION.)
11. Remove the side panel.

INTERIOR TRIM

12. Disconnect the antenna plug.
13. For vehicles equipped with the semi-logic type climate control unit, disconnect the wires for the heater unit. (See 07-40-9 CLIMATE CONTROL UNIT REMOVAL.) (See 07-40-10 CLIMATE CONTROL UNIT INSTALLATION.)



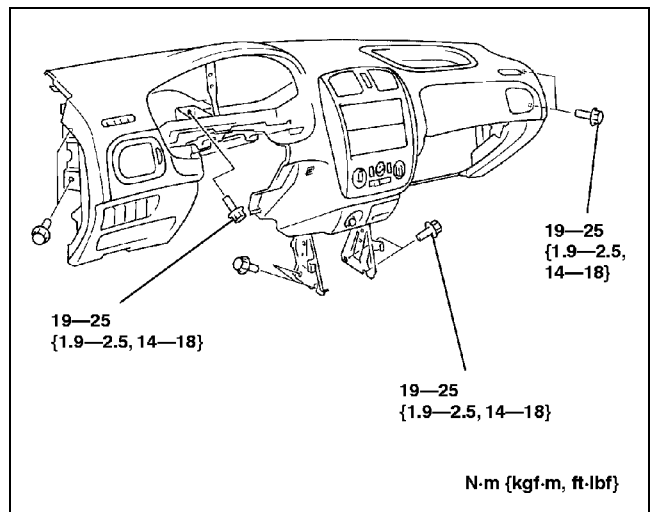
14. Disconnect the connectors.



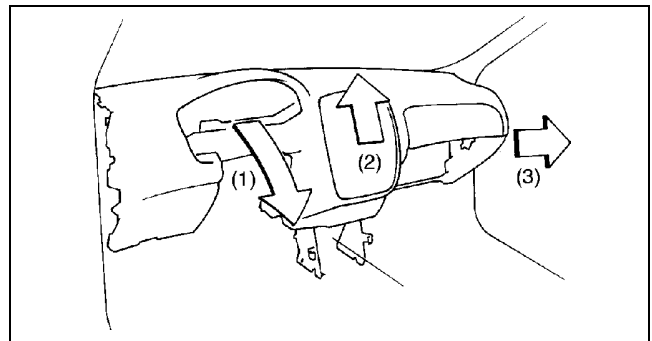
15. Remove the bolts.
16. Remove the dashboard from the vehicle.

Warning

- Removing the dashboard without supporting it can be dangerous. The dashboard may fall and injure you. Always perform these procedures together with at least another person.



- (1) Incline the dashboard slowly forward.
 - (2) Lift up the dashboard while it is inclined forward.
 - (3) Remove the dashboard from the vehicle through the passenger-side front door.
17. Install in the reverse order of removal.

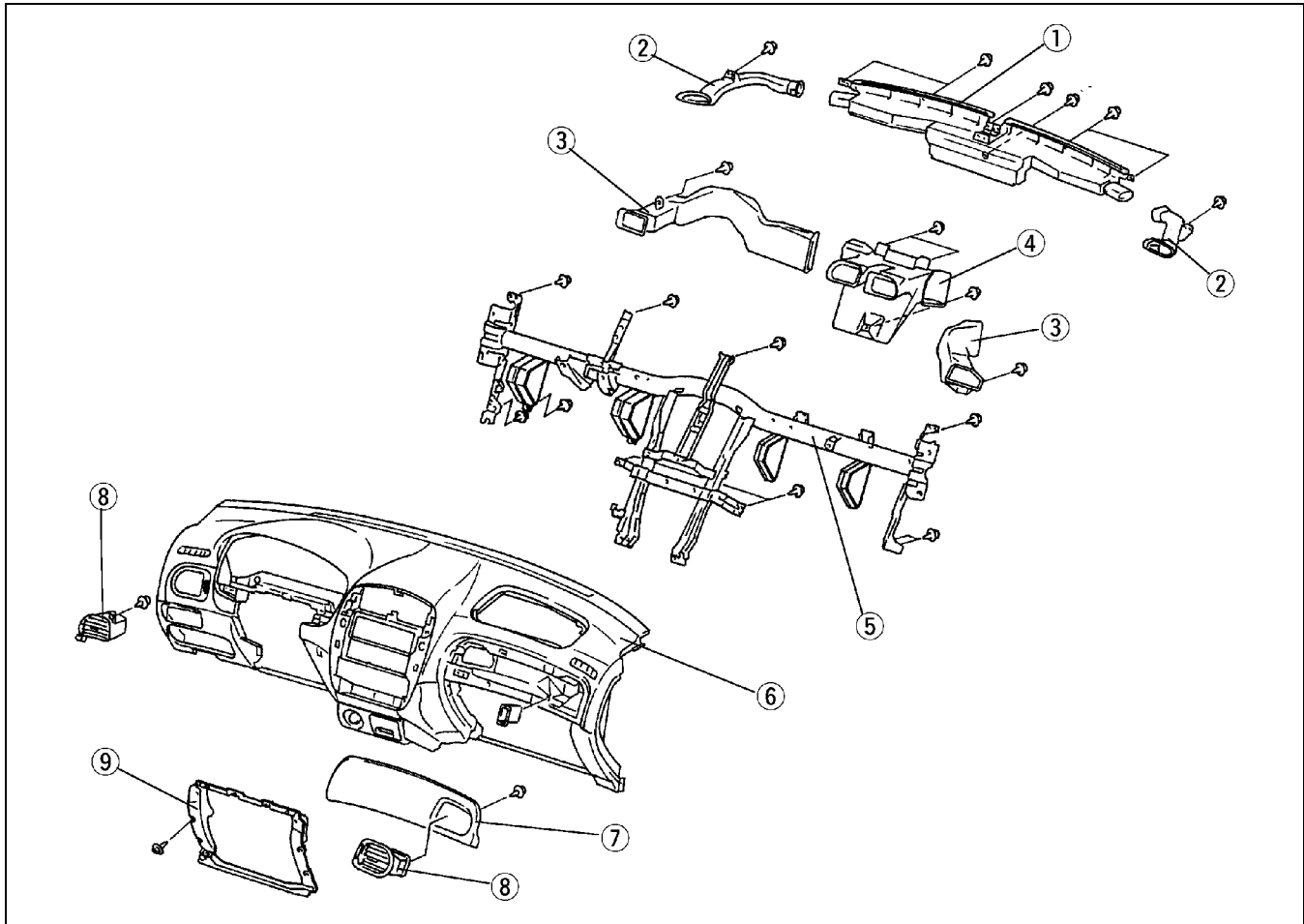


INTERIOR TRIM

DASHBOARD DISASSEMBLY/ASSEMBLY

A3U091755100W02

1. Disassemble in the order indicated in the table.
2. Assemble in the reverse order of disassembly.



X3U917WA4

1	Defroster nozzle
2	Side demister duct
3	Duct
4	Center duct
5	Dashboard member

6	Crush pad
7	Pad
8	Ventilator grille
9	Passenger-side lower panel

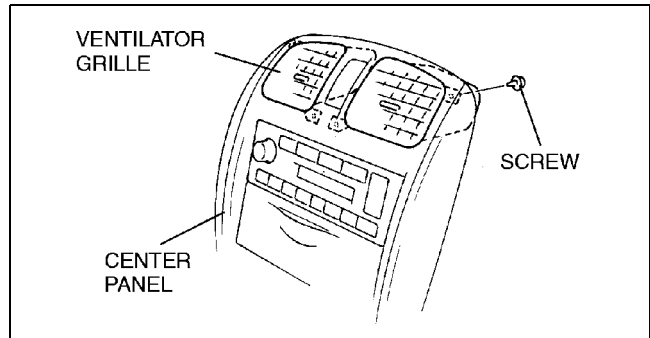
09-17

VENTILATOR GRILLE REMOVAL/INSTALLATION

A3U091764730W01

Center Side

1. Remove the center panel. (See 09-17-4 CENTER PANEL REMOVAL/INSTALLATION.)
2. Remove the screws from behind the center panel.
3. Install in the reverse order of removal.

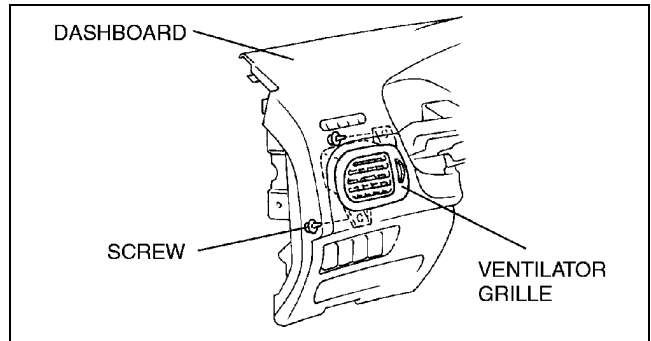


X3U917WA5

INTERIOR TRIM

Driver's side

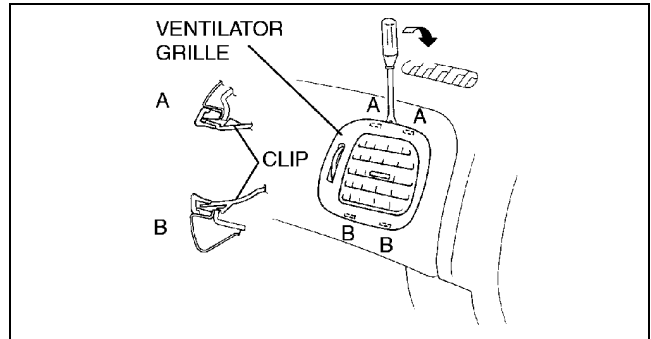
1. Remove the dashboard. (See 09-17-1 DASHBOARD REMOVAL/INSTALLATION.)
2. Remove the screws from behind the dashboard.
3. Install in the reverse order of removal.



X3U917WA6

Passenger's side

1. Disengage clips A and B using a fastener remover as shown in the figure.
2. Install in the reverse order of removal.

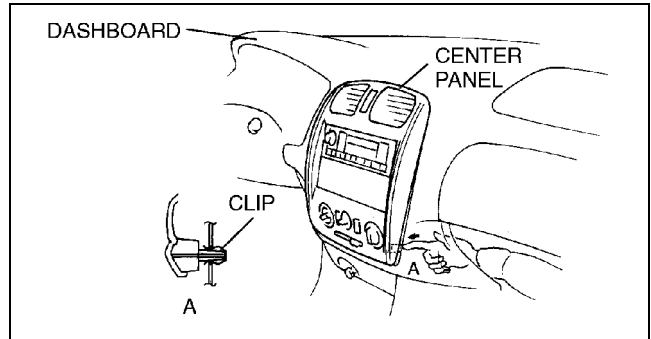


X3U917WA7

CENTER PANEL REMOVAL/INSTALLATION

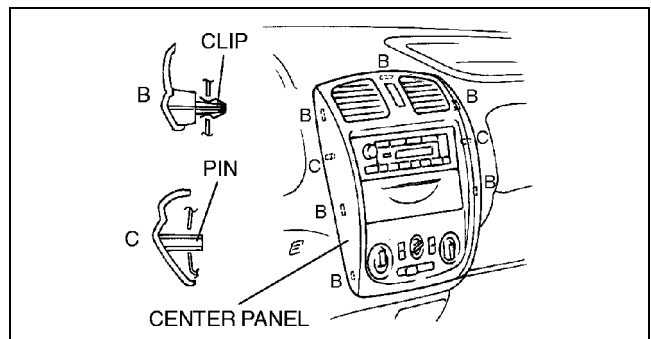
A3U091755210W01

1. Disconnect the negative battery cable.
2. Remove the glove compartment.
3. For vehicles equipped with the semi-logic type climate control unit, disconnect the wires for the heater unit. (See 07-40-9 CLIMATE CONTROL UNIT REMOVAL.) (See 07-40-10 CLIMATE CONTROL UNIT INSTALLATION.)
4. Push out clip A from behind the dashboard.



X3U917WA8

5. Pull the center panel, then remove clips B and pins C from the dashboard.
6. Disconnect the hazard warning switch connector and climate control unit connector.
7. Install in the reverse order of removal.



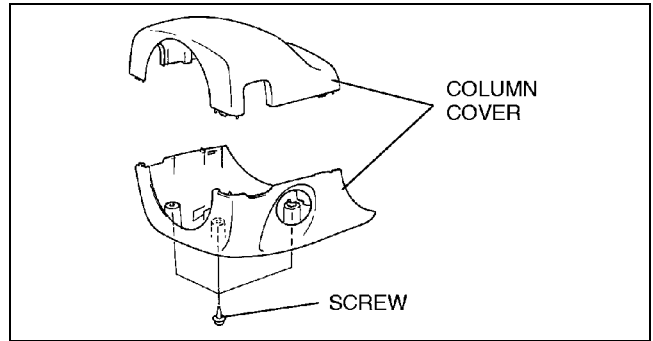
X3U917WA9

INTERIOR TRIM

COLUMN COVER REMOVAL/INSTALLATION

A3U091760200W01

1. Remove the screws, then remove the column cover.
2. Install in the reverse order of removal.



X3U917WAA

CONSOLE ADJUSTMENT

A3U091764310W01

Caution

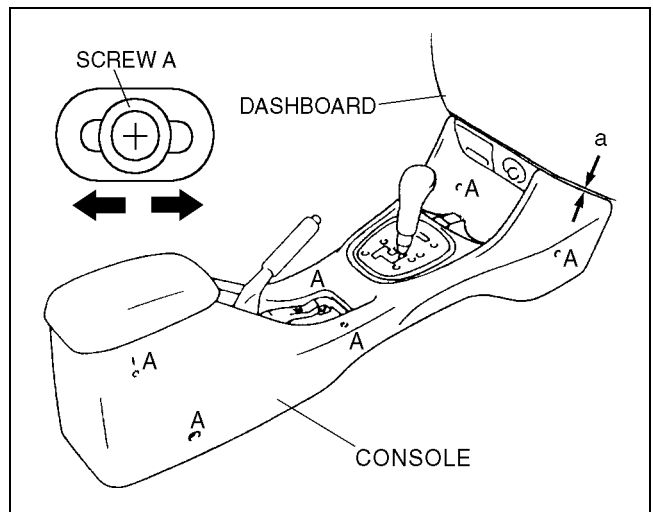
- Take care to install the console and the center panel so that there is no interference which may cause noise.

1. Loosen screws A.
2. Slide the console indicated by the arrow and measure the gap between the console and the dashboard.

Clearance

a: 0.2—1.8 mm {0.0008—0.07 in}

3. Tighten screws A.



Z3U0917W006

09-17

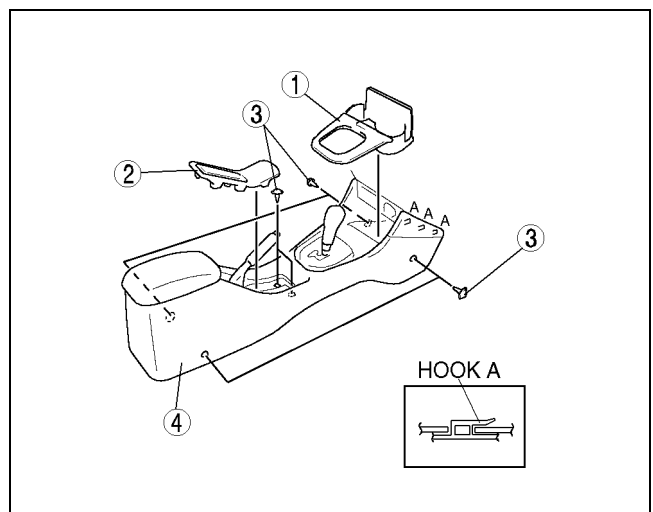
CONSOLE REMOVAL/INSTALLATION

A3U091764310W02

1. For MTX vehicle, remove the shift lever knob.
2. Remove in the order indicated in the table.

1	Boot panel (See 09-17-6 Boot Panel Removal Note.)
2	Console cover (See 09-17-6 Console Cover Removal Note.)
3	Screw
4	Console

3. Install in the reverse order of removal.

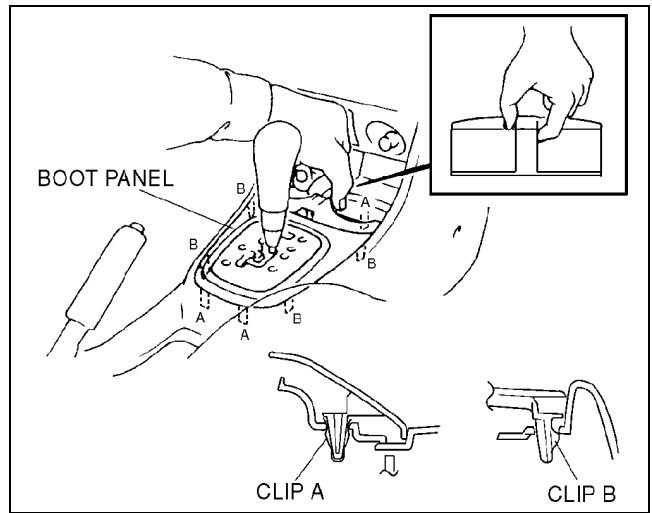


Z3U0917W007

INTERIOR TRIM

Boot Panel Removal Note

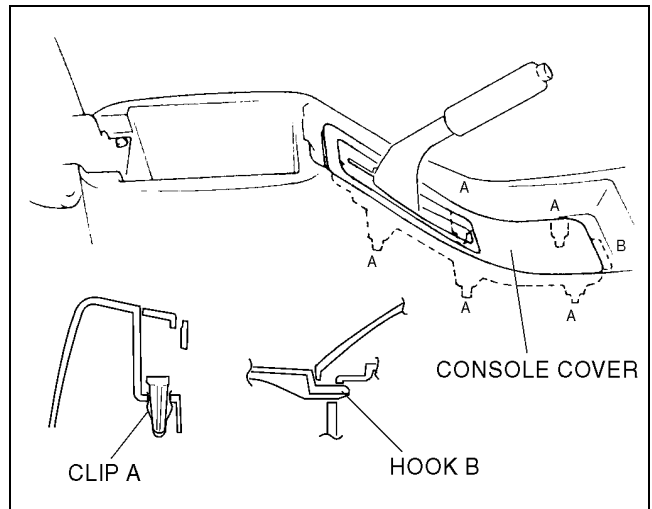
1. Pull the boot panel upward, then disengage clips A and B from the console.



Y3E7742W301

Console Cover Removal Note

1. Disengage clip A using a tape-wrapped flathead screwdriver.
2. Pull the console cover upward, then disengage hook B from the console.



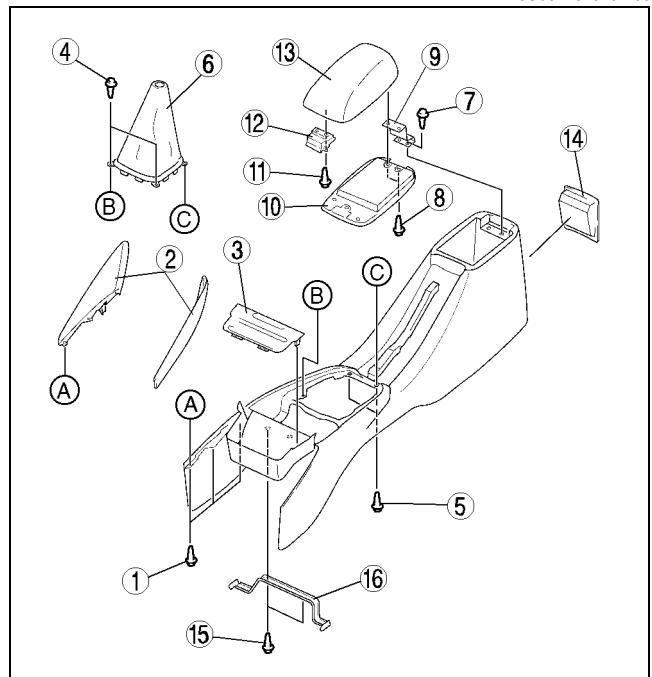
Y3E7742W302

CONSOLE DISASSEMBLY/ASSEMBLY

1. Disassemble in the order indicated in the table.

1	Screw A
2	Side wall
3	Cover
4	Screw B (MTX)
5	Screw C (MTX)
6	Boot (MTX)
7	Screw D
8	Screw E
9	Console lid hinge
10	Console lid inner
11	Screw F
12	Console lid lock
13	Console lid outer
14	Ashtray
15	Screw G
16	Bracket

A3U091764310W03



Y3E7742W305

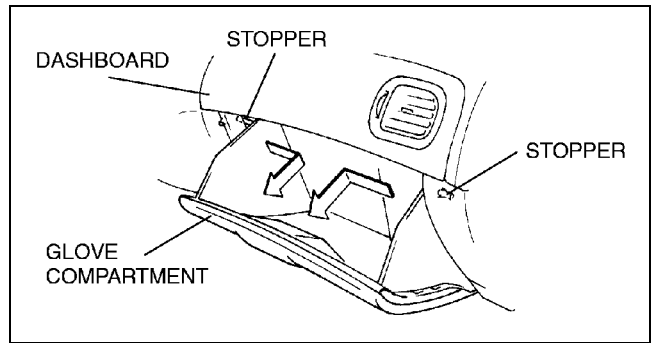
2. Assemble in the reverse order of disassembly.

INTERIOR TRIM

GLOVE COMPARTMENT REMOVAL/INSTALLATION

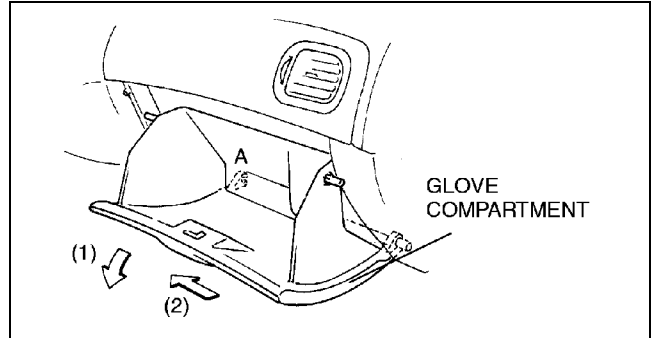
A3U091764030W01

1. Bend the stoppers inward, then remove them.



X3U917WAG

2. Pull the glove compartment toward you while pushing it downward (1), then remove clip A.
3. Slide the glove compartment toward driver's side door (2).
4. Install in the reverse order of removal.



X3U917WAH

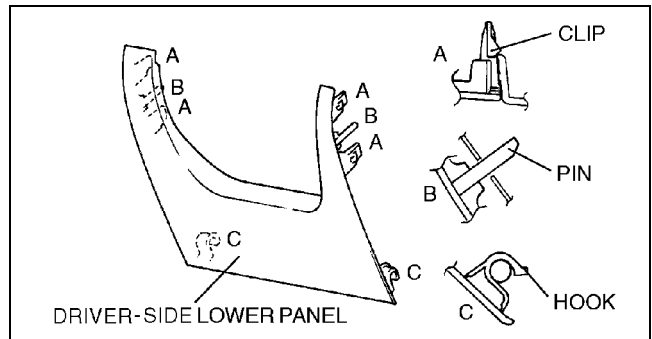
LOWER PANEL REMOVAL/INSTALLATION

Driver's side

1. Pull the upper side of the lower panel downward, then disengage clips A and pins B from the dashboard.
2. Pull the lower panel toward you, then disengage hooks C from the dashboard.
3. Install in the reverse order of removal.

A3U091764280W01

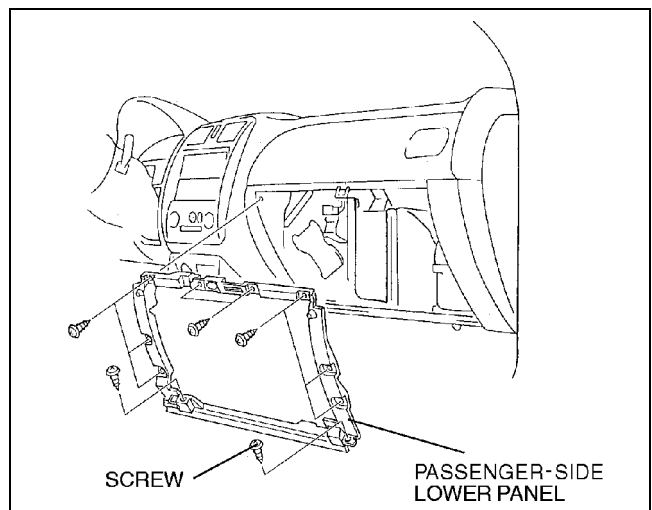
09-17



Z3U0917W003

Passenger's side

1. Remove the glove compartment.
2. Remove the screws.
3. Install in the reverse order of removal.



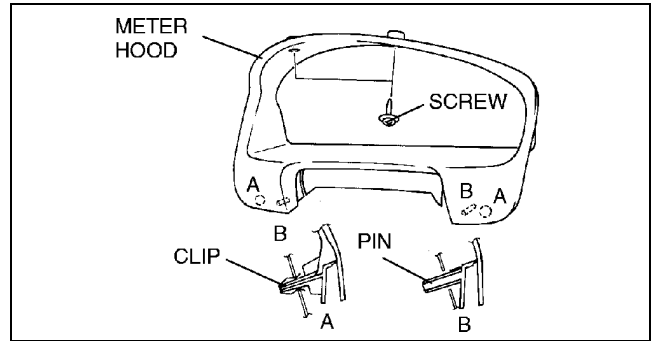
Z3U0917W004

INTERIOR TRIM

METER HOOD REMOVAL/INSTALLATION

A3U091755420W01

1. Remove the screws.
2. Pull the meter hood toward you, then remove clips A and pins B from the dashboard.
3. Install in the reverse order of removal.

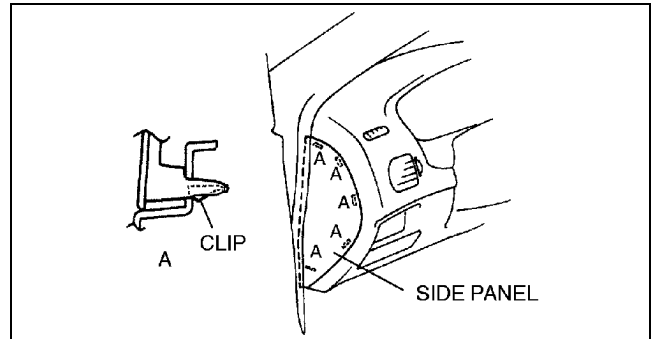


X3U917WAL

SIDE PANEL REMOVAL/INSTALLATION

A3U091764960W01

1. Remove clips A using a tape-wrapped flathead screwdriver.
2. Install in the reverse order of removal.

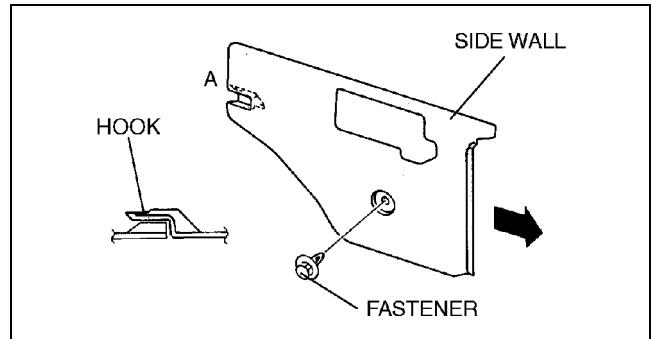


X3U917WAM

SIDE WALL REMOVAL/INSTALLATION

A3U091768371W01

1. Remove the fastener.
2. Pull the side wall indicated toward the arrow and disengage hook A from the body.
3. Install in the reverse order of removal.



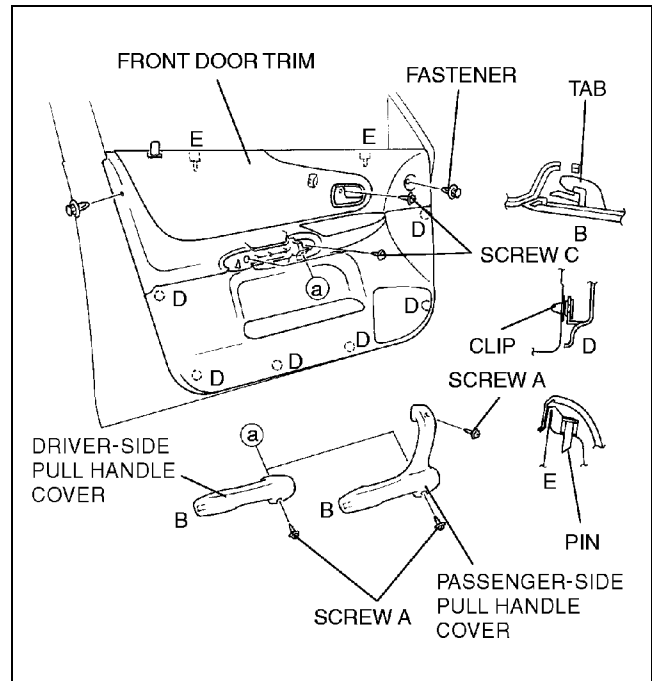
Y3U917WA3

INTERIOR TRIM

FRONT DOOR TRIM REMOVAL/INSTALLATION

A3U091768420W01

1. Remove the inner garnish.
2. Remove the regulator handle if equipped.
3. Remove screws A and the fastener.
4. Slide the pull handle cover toward the front of the vehicle, then disengage tab B from the front door trim.
5. Remove the screws C.
6. Disengage clips D using a fastener remover from the body.
7. Pull the front door trim upward, then disengage pins E from the body.
8. Extract the inner handle from the front door trim.
9. Disconnect the power window main switch connector (driver's side).
10. Disconnect the power window sub switch connector (passenger's side).
11. Install in the reverse order of removal.



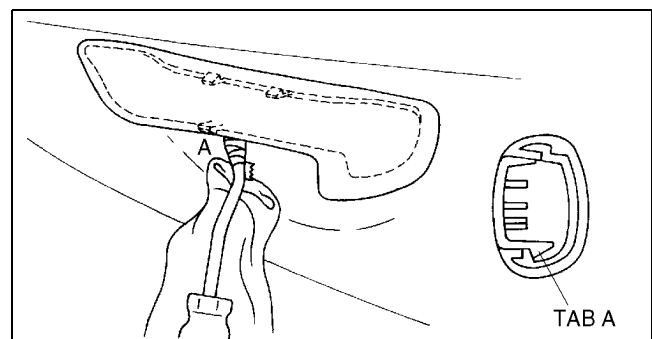
Z3U0917W005

REAR DOOR TRIM REMOVAL/INSTALLATION

A3U091768520W01

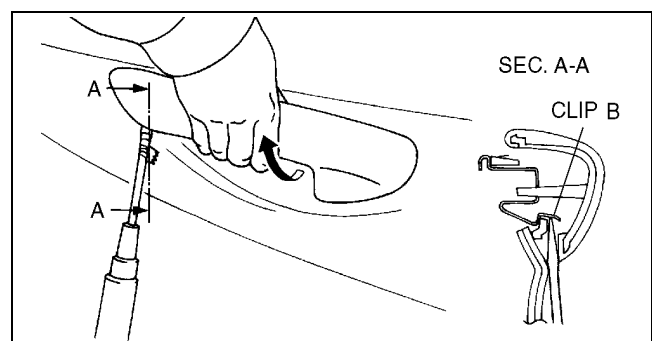
09-17

1. Disconnect the negative battery cable if equipped with power window.
2. Remove the regulator handle if equipped.
3. Insert a tape-wrapped fastener remover under the pull-handle cover, and disengage tab A.



A3U0916W015

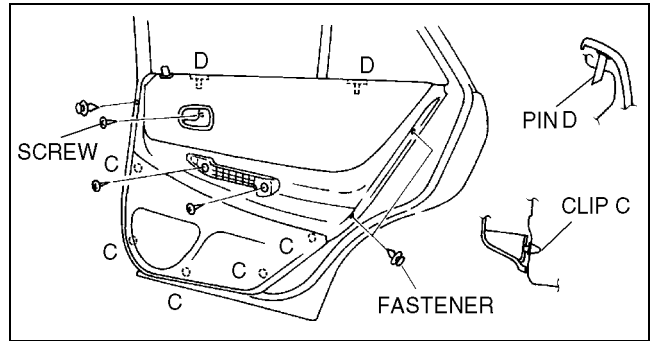
4. Insert a tape-wrapped flathead screwdriver into the access hole under the forward pull-handle cover, and remove the pull-handle cover by pulling it upward and diagonally while pushing clip B.



A3U0916W016

INTERIOR TRIM

5. Remove the screws and fasteners.
6. Disengage clips C using a fastener remover.
7. Pull the rear door trim upward, then disengage pins D from the body.
8. Disconnect the power window sub switch connector if equipped.
9. Remove the inner handle from the rear door trim.
10. Install in the reverse order of removal.

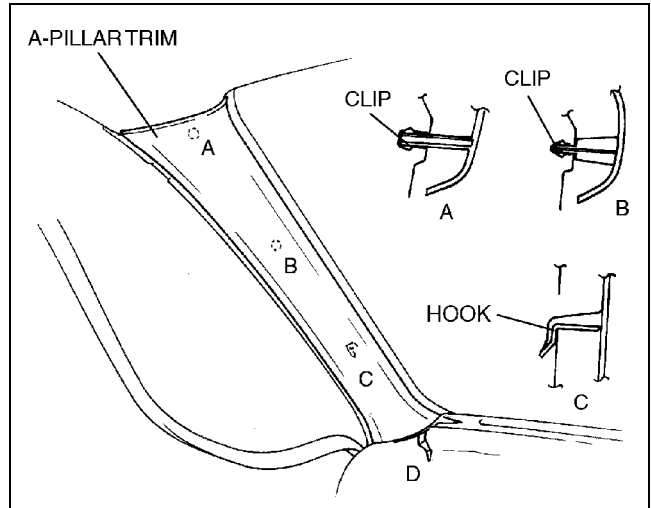


A3U0916W017

A-PILLAR TRIM REMOVAL/INSTALLATION

A3U091768160W01

1. Turn the seaming welt over.
2. Disengage clips A and B using a fastener remover.
3. Pull the A-pillar trim upward, then disengage hooks C and D.
4. Install in the reverse order of removal.



Y3U917WA5

B-PILLAR LOWER TRIM REMOVAL

A3U091768220W01

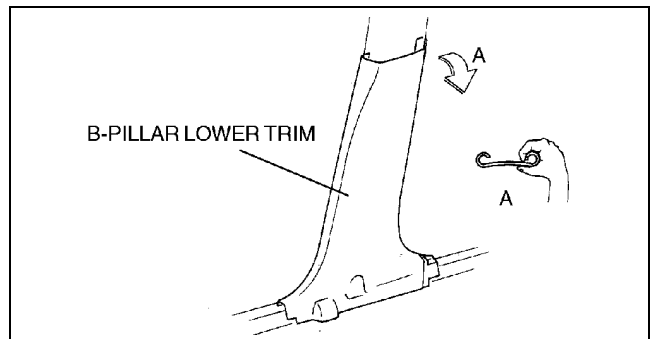
Warning

- Handling the side air bag sensor improperly can accidentally deploy the side air bag module, which may seriously injure you. Read AIR BAG SYSTEM SERVICE WARNINGS before working around the B-pillar areas. (See 08-10-3 AIR BAG SYSTEM SERVICE WARNINGS.)

Note

- The side air bag sensor is located in the B-pillar.

1. Disconnect the negative battery cable.
2. Remove the front scuff plate.
3. Remove the rear scuff plate.
4. Pull the area marked A, then remove one side of the B-pillar lower trim.



X3U917WAS

INTERIOR TRIM

B-PILLAR LOWER TRIM INSTALLATION

A3U091768220W02

Warning

- Handling the side air bag sensor improperly can accidentally deploy the side air bag module, which may seriously injure you. Read AIR BAG SYSTEM SERVICE WARNINGS before working around the B-pillar areas. (See 08-10-3 AIR BAG SYSTEM SERVICE WARNINGS.)

Note

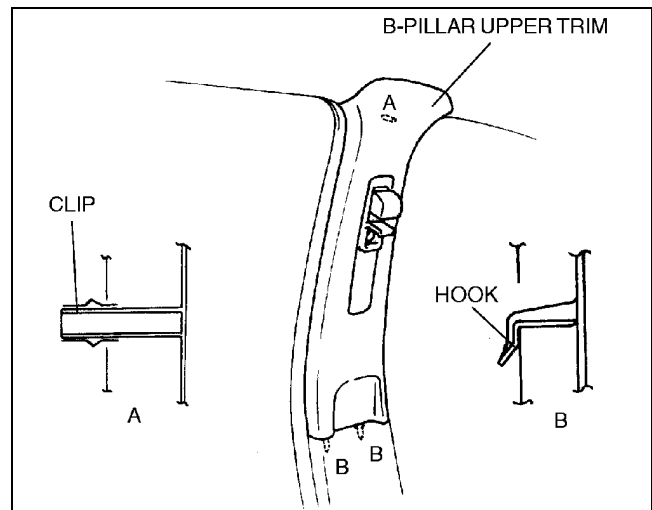
- The side air bag sensor is located in the B-pillar.

1. Disconnect the negative battery cable.
2. Install the B-pillar lower trim to the B-pillar with setting 5—10 mm {0.20—0.39 in} upward from its original installation place.
3. Slide the B-pillar lower trim downward.
4. Install the rear scuff plate.
5. Install the front scuff plate.

B-PILLAR UPPER TRIM REMOVAL/INSTALLATION

A3U091768210W01

1. Remove the upper anchor of the front seat belt. (See 08-11-1 FRONT SEAT BELT REMOVAL/INSTALLATION.)
2. Remove the B-pillar lower trim. (See 09-17-10 B-PILLAR LOWER TRIM REMOVAL.) (See 09-17-11 B-PILLAR LOWER TRIM INSTALLATION.)
3. Turn the seaming welt over.
4. Disengage clip A using a fastener remover.
5. Pull the B-pillar upper trim upward, then disengage hooks B from the body.
6. Install in the reverse order of removal.



Y3U917WA6

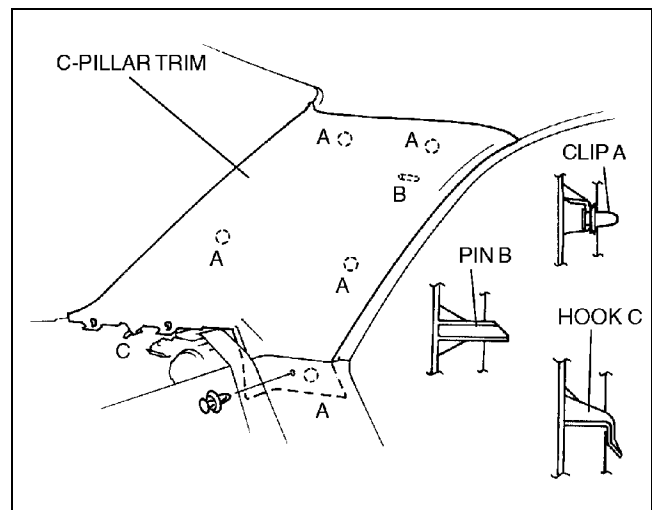
09-17

C-PILLAR TRIM REMOVAL/INSTALLATION

A3U091768240W01

4SD

1. Remove the tire house trim.
2. Turn the seaming welt over.
3. Disengage clips A and pin B using a fastener remover.
4. Pull the C-pillar trim upward, then disengage hook C from the body.
5. Install in the reverse order of removal.



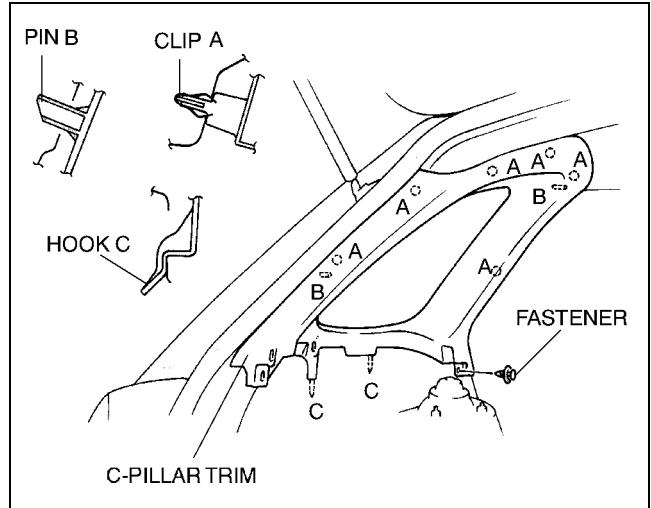
Y3U917WA7

09-17-11

INTERIOR TRIM

5HB

1. Remove the trunk side trim.
2. Remove the rear center seat belt upper anchor installation bolt. (LH only)
3. Remove the fastener.
4. Disengage clips A and pins B using a fastener remover.
5. Pull the C-pillar trim upward, then disengage hooks C from the body.
6. Install in the reverse order of removal.



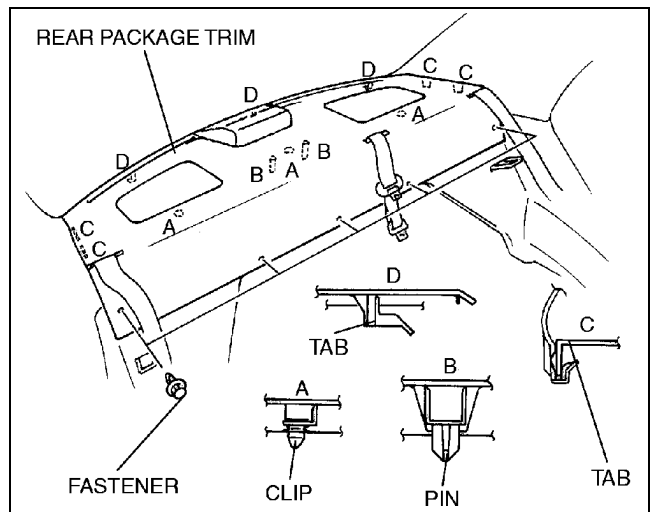
A3U0917W001

REAR PACKAGE TRIM REMOVAL/INSTALLATION

4SD

1. Remove the rear seat back.
2. Pull the rear package trim upward, then disengage clips A, pins B and tabs C from the body.
3. Pull the rear package trim toward you, then disengage tabs D from the body.
4. Install in the reverse order of removal.

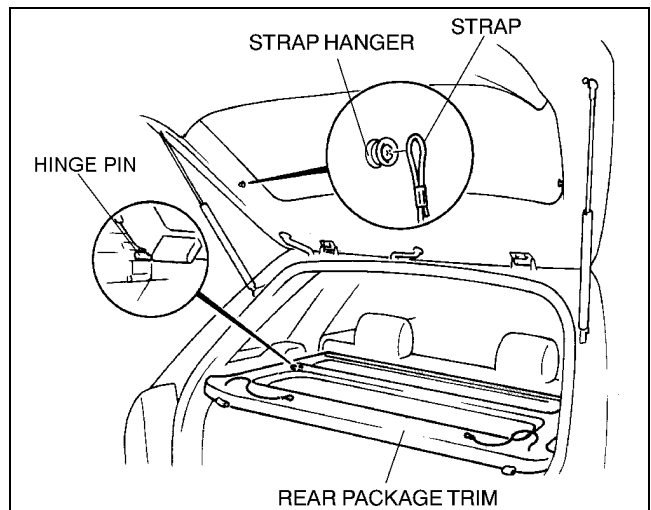
A3U091768320W01



Z3U0917W001

5HB

1. Remove the straps from the strap hangers.
2. Pull the rear package trim, then remove the hinge pin from the trunk side trim.
3. Install in the reverse order of removal.

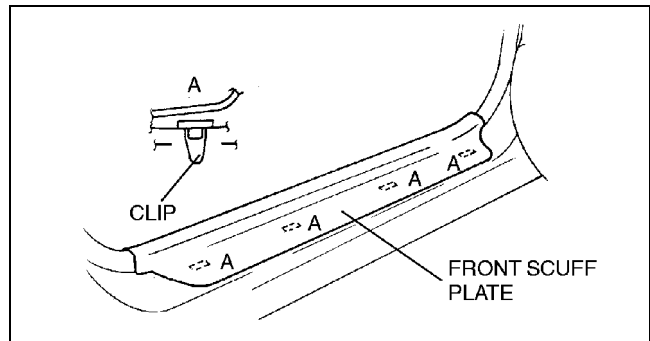


A3U0917W003

INTERIOR TRIM

FRONT SCUFF PLATE REMOVAL/INSTALLATION

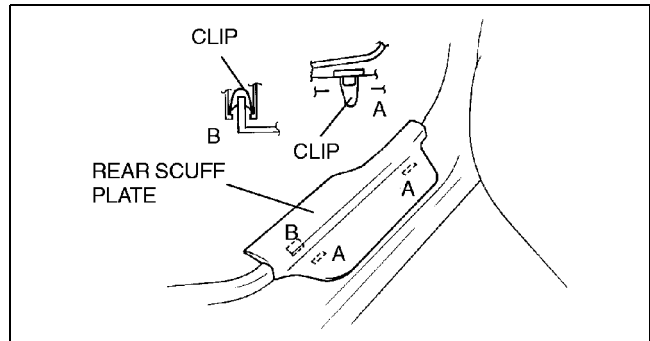
1. Pull the front scuff plate upward, then disengage clips A from the body.
2. Install in the reverse order of removal.



X3U917WAW

REAR SCUFF PLATE REMOVAL/INSTALLATION

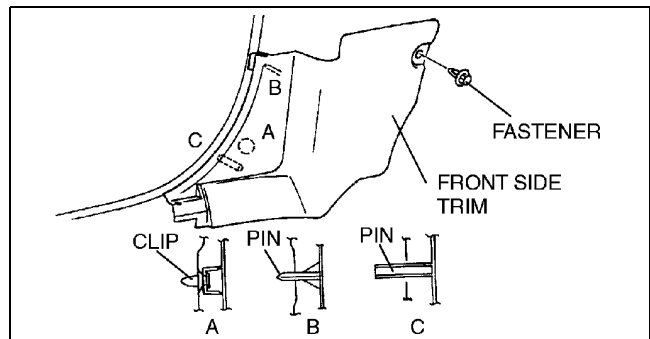
1. Pull the rear scuff plate upward, then disengage clips A and B from the body.
2. Install in the reverse order of removal.



X3U917WAX

FRONT SIDE TRIM REMOVAL/INSTALLATION

1. Remove the front scuff plate.
2. Turn the seaming welt over.
3. Remove the fasteners.
4. Pull the front side trim toward you, then disengage clip A, pins B and C from the body.
5. Install in the reverse order of removal.

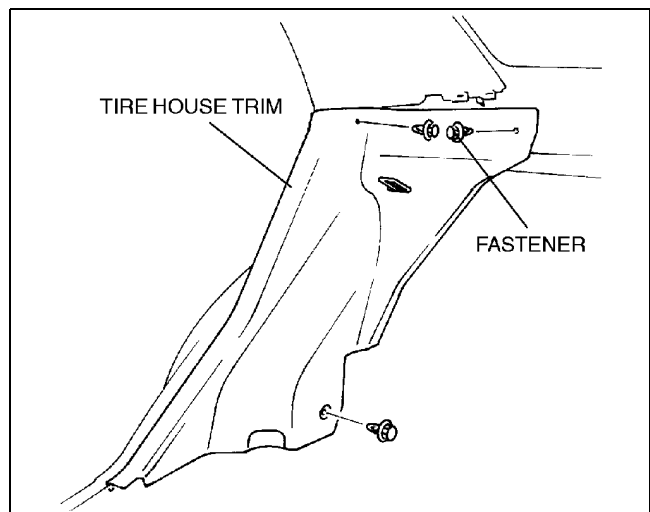


X3U917WAY

A3U091768760W01

TIRE HOUSE TRIM REMOVAL/INSTALLATION 4SD

1. Remove the rear seat back.
2. Remove the rear scuff plate.
3. Remove the rear package trim.
4. Remove the lower anchor installation bolt from the rear seat belt.
5. Remove the fasteners.
6. Pull the tire house trim forward, then remove the tire house trim.
7. Install in the reverse order of removal.

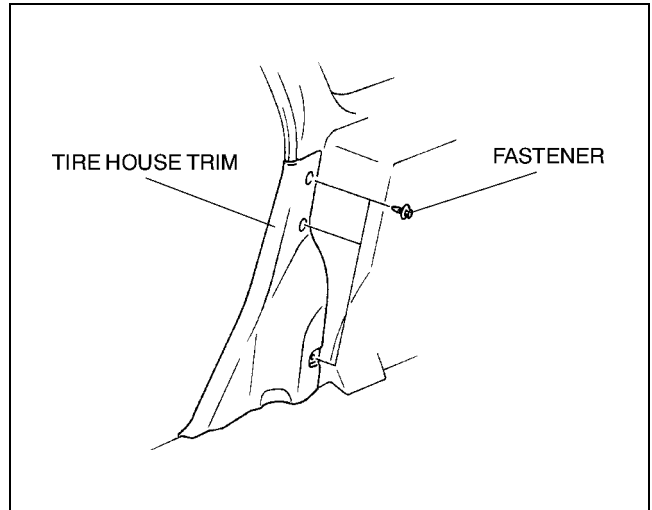


X3U917WAZ

INTERIOR TRIM

5HB

1. Lift up the rear seat cushion.
2. Remove the rear seat back.
3. Remove the rear scuff plate.
4. Remove the fasteners.
5. Pull the tire house trim forward, then remove the tire house trim.
6. Install in the reverse order of removal.

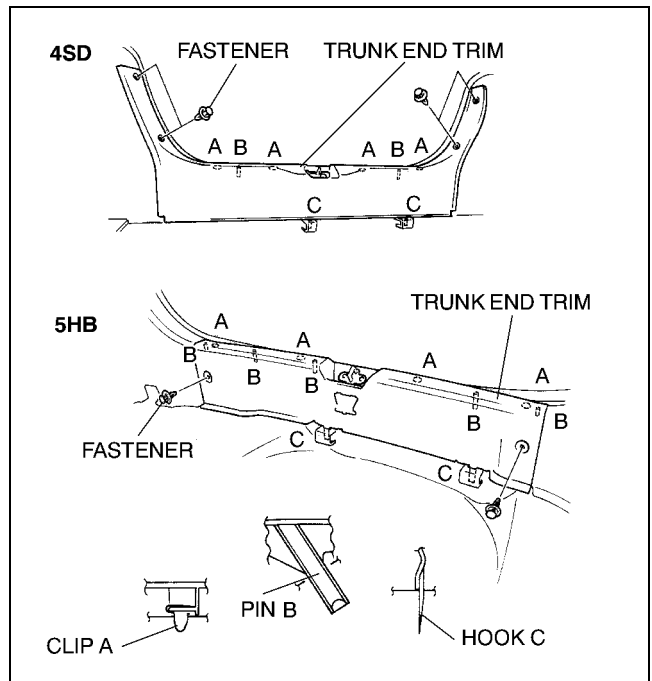


A3U0917W002

TRUNK END TRIM REMOVAL/INSTALLATION

1. Turn the weatherstrip over.
2. Remove the fasteners.
3. Disengage clips A using a fastener remover from the body.
4. Pull the trunk end trim upward, then disengage pins B and C from the body.
5. Install in the reverse order of removal.

A3U091768890W01



A3U0917W006

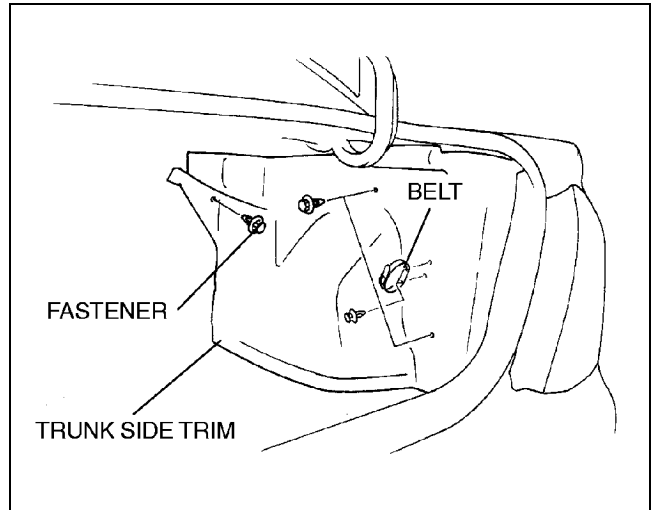
INTERIOR TRIM

TRUNK SIDE TRIM REMOVAL/INSTALLATION

A3U091768860W01

4SD

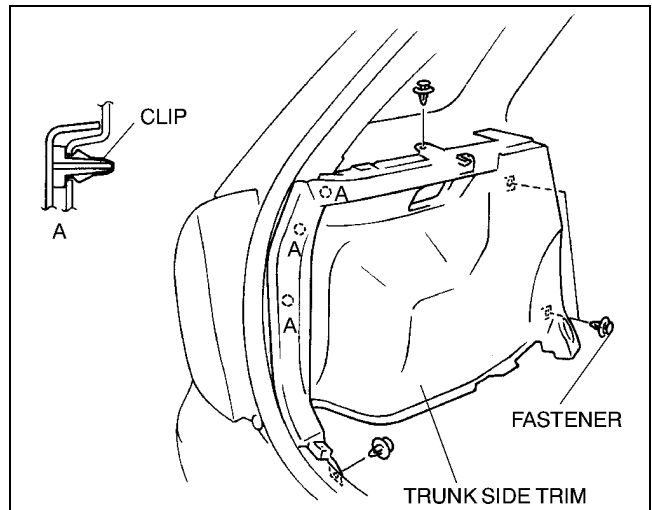
1. Remove the trunk mat.
2. Remove the trunk end trim.
3. Remove the tire house trim.
4. Remove the fasteners, then remove the belt.
5. Pull the trunk side trim outward, then remove it.
6. Install in the reverse order of removal.



X3U917WB1

5HB

1. Remove the trunk end trim.
2. Turn over the weatherstrip.
3. Remove the trunk side upper trim.
4. Remove the tire house trim.
5. Remove the fasteners.
6. Remove the trunk side trim, then disengage clips A.
7. Disconnect the cargo compartment light connector. (LH only)
8. Install in the reverse order of removal.

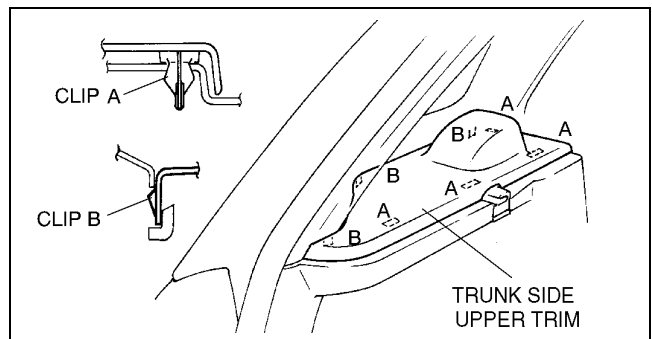


A3U0917W005

TRUNK SIDE UPPER TRIM REMOVAL/INSTALLATION

A3U091768860W02

1. Remove the rear package trim.
2. Pull the trunk side upper trim upward, then disengage clips A and B from the body.
3. Lift up the rear seat cushion.
4. Remove the rear seat belt lower anchor installation bolts.
5. Install in the reverse order of removal.



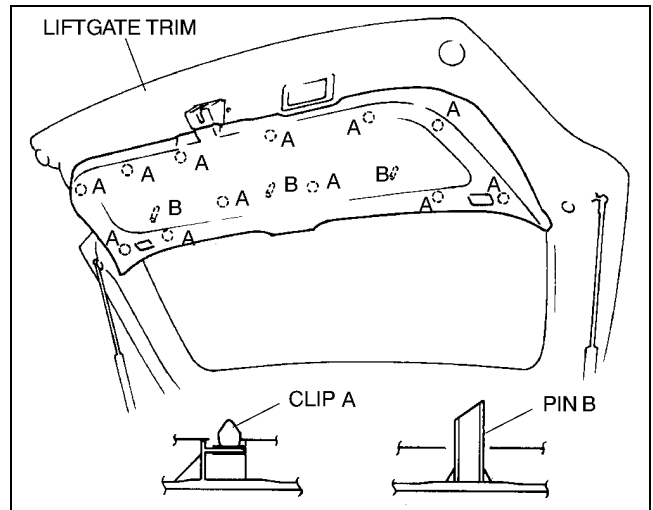
A3U0917W004

INTERIOR TRIM

LIFTGATE TRIM REMOVAL/INSTALLATION

A3U091768961W01

1. Disengage clips A and pins B using a fastener remover, then remove the liftgate trim.
2. Install in the reverse order of removal.

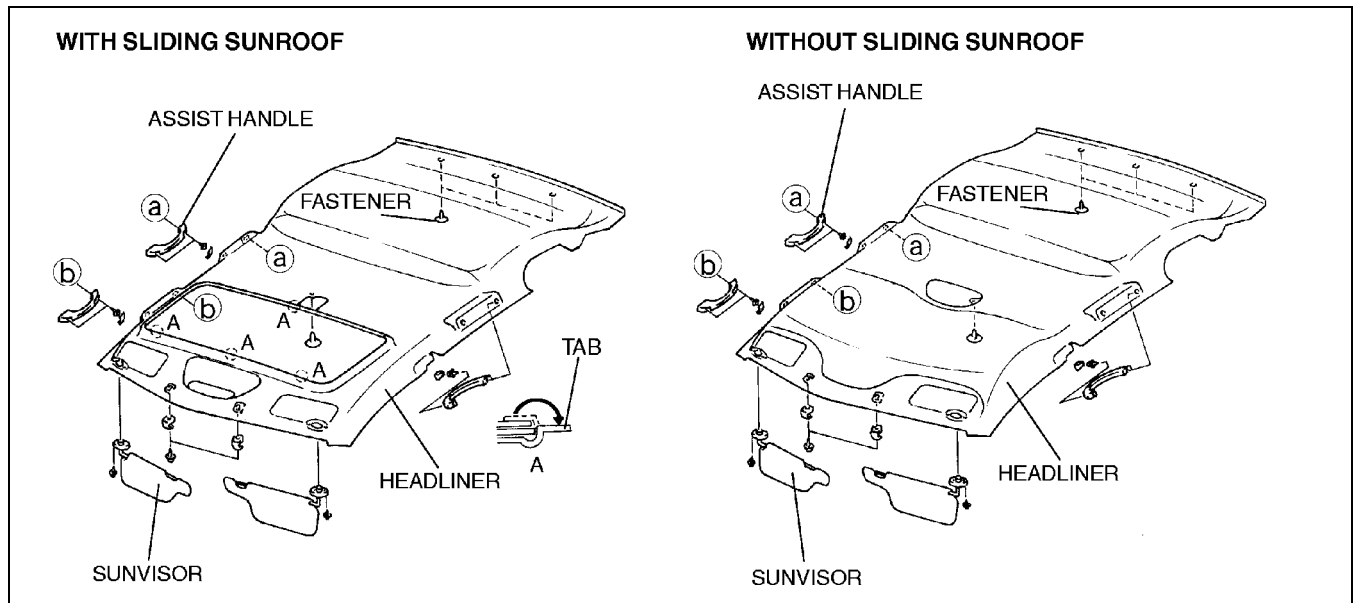


A3U0917W007

HEADLINER REMOVAL/INSTALLATION

A3U091768030W01

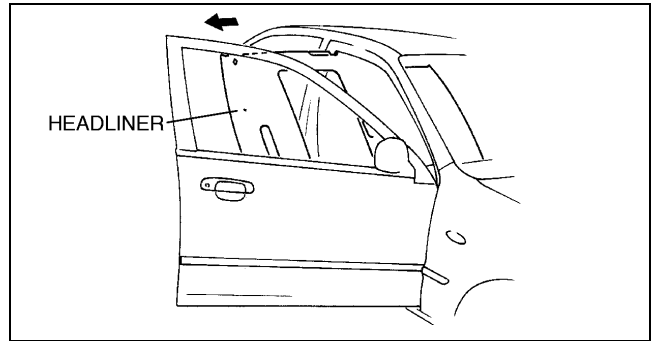
1. Disconnect the negative battery cable.
2. Turn the seaming welt and weatherstrip over.
3. Remove the A-pillar trims. (See 09-17-10 A-PILLAR TRIM REMOVAL/INSTALLATION.)
4. Remove the B-pillar upper trims. (See 09-17-11 B-PILLAR UPPER TRIM REMOVAL/INSTALLATION.)
5. Remove the C-pillar trims. (See 09-17-11 C-PILLAR TRIM REMOVAL/INSTALLATION.)
6. Remove the interior and map light if not equipped with a sliding sunroof. (See 09-18-20 INTERIOR AND MAP LIGHT REMOVAL/INSTALLATION.)
7. Remove the map light and interior light if equipped with a sliding sunroof. (See 09-18-22 INTERIOR LIGHT REMOVAL/INSTALLATION.) (See 09-18-21 MAP LIGHT REMOVAL/INSTALLATION.)
8. Remove the screws then remove the sunvisor and assist handle.
9. Fold tabs A up if equipped with a sliding sunroof.
10. Remove the fasteners.



Z3U0917W002

INTERIOR TRIM

11. Remove the headliner diagonally from the passenger-side front door frame.

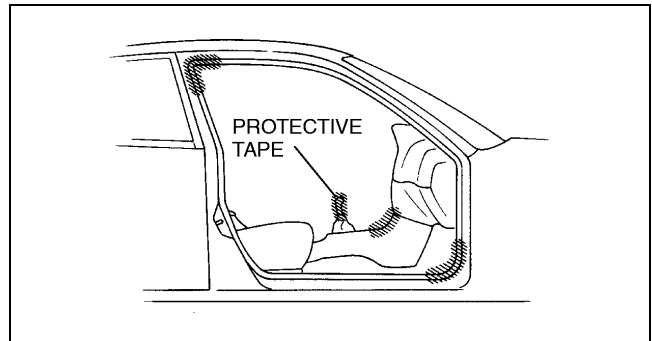


X3U917WB5

Caution

- To protect the trim, seaming welt, etc. from scratches when removing the headliner from the vehicle, affix protective tape to the console, shift lever knob and door frame.

12. Install in the reverse order of removal.

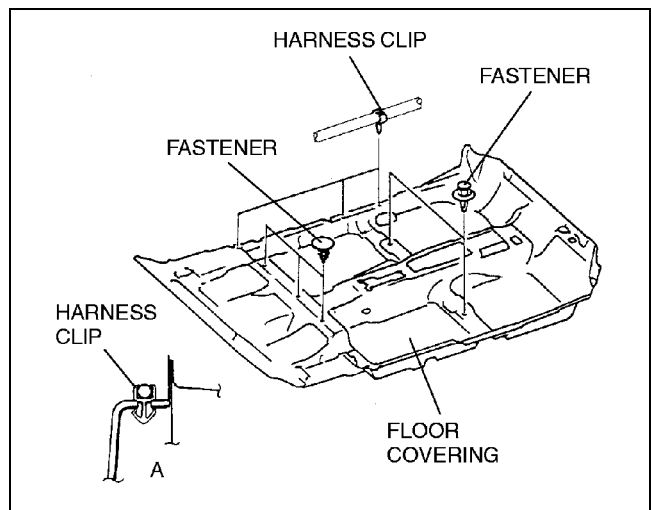


X3U917WB4

FLOOR COVERING REMOVAL/INSTALLATION

A3U091768670W01

1. Disconnect the negative battery cable.
2. Remove the front seats. (See 09-13-1 FRONT SEAT REMOVAL/INSTALLATION.)
3. Remove the rear seat cushion. (See 09-13-5 REAR SEAT REMOVAL/INSTALLATION.)
4. Remove the tire house trim. (See 09-17-13 TIRE HOUSE TRIM REMOVAL/INSTALLATION.)
5. Remove the dashboard. (See 09-17-1 DASHBOARD REMOVAL/INSTALLATION.)
6. Remove the front side trim. (See 09-17-13 FRONT SIDE TRIM REMOVAL/INSTALLATION.)
7. Remove the B-pillar lower trim. (See 09-17-10 B-PILLAR LOWER TRIM REMOVAL.) (See 09-17-11 B-PILLAR LOWER TRIM INSTALLATION.)
8. Remove the lower anchor of the front seat belt installation bolts.
9. Remove the selector cable if equipped with ATX. (See 05-18-3 SELECTOR LEVER REMOVAL/INSTALLATION.)
10. Remove the interlock cable if equipped with ATX. (See 05-18-3 SELECTOR LEVER REMOVAL/INSTALLATION.)
11. Remove the rear heat duct.
12. Remove the fasteners and clips A, then remove the floor covering.
13. Remove the floor covering from the vehicle through the passenger-side front door.
14. Install in the reverse order of removal.



X3U917WB6