

09-16 EXTERIOR TRIM

COWL GRILLE
 REMOVAL/INSTALLATION 09-16-1

EXTRACTOR CHAMBER
 REMOVAL/INSTALLATION 09-16-1
 4SD 09-16-1
 5HB 09-16-2

FRONT FLAP
 REMOVAL/INSTALLATION 09-16-2

REAR FLAP
 REMOVAL/INSTALLATION 09-16-2

RADIATOR
 GRILLE REMOVAL/INSTALLATION .. 09-16-2

REAR FINISHER
 REMOVAL/INSTALLATION 09-16-3

LIFTGATE GARNISH
 REMOVAL/INSTALLATION 09-16-3

SIDE PROTECTOR REMOVAL 09-16-3

SIDE PROTECTOR INSTALLATION ... 09-16-4

SIDE PROTECTOR INSTALLATION ... 09-16-4

SIDE STEP MOLDING
 REMOVAL/INSTALLATION 09-16-4

ROOF RACK
 REMOVAL/INSTALLATION 09-16-4

ROOF RACK
 DISASSEMBLY/ASSEMBLY 09-16-5

ROOF CARRIER
 REMOVAL/INSTALLATION 09-16-5
 Front 09-16-5
 Rear 09-16-6

FRONT BELTLINE MOLDING
 REMOVAL/INSTALLATION 09-16-7

REAR BELTLINE MOLDING
 REMOVAL/INSTALLATION 09-16-7

REAR WINDOW GLASS
 MOLDING REMOVAL 09-16-7

EAR WINDOW GLASS
 MOLDING INSTALLATION 09-16-7

WINDSHIELD MOLDING REMOVAL ... 09-16-8

WINDSHIELD MOLDING
 INSTALLATION 09-16-8

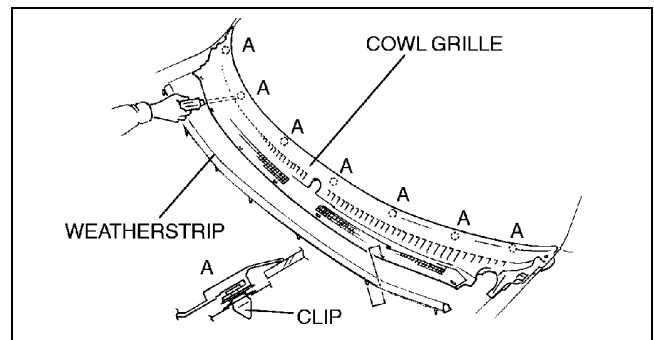
ROOF MOLDING
 REMOVAL/INSTALLATION 09-16-8

REAR SPOILER
 REMOVAL/INSTALLATION 09-16-8
 4SD 09-16-8
 5HB 09-16-9

COWL GRILLE REMOVAL/INSTALLATION

A3U091650790W01

1. Remove the windshield wiper arm and blade. (See 09-19-5 WINDSHIELD WIPER ARM AND BLADE REMOVAL/INSTALLATION.)
2. Remove the weatherstrip.
3. Disengage the clips of the cowl grille using a fastener remover, then remove the cowl grille.
4. Install in the reverse order of removal.



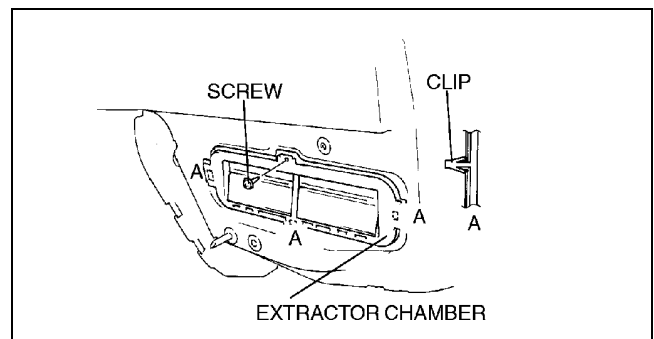
X3U916WA0

EXTRACTOR CHAMBER REMOVAL/INSTALLATION

A3U091651920W01

4SD

1. Remove the rear bumper.
2. Remove the passenger-side trunk side trim.
3. Remove the screw.
4. Squeeze the clips with your fingers and remove the extractor chamber from the vehicle side.
5. Install in the reverse order of removal.

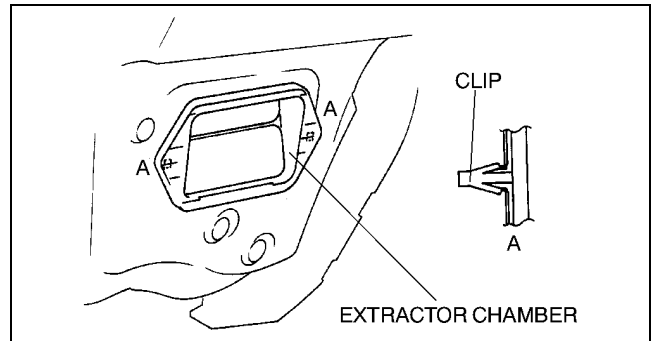


X3U916WA1

EXTERIOR TRIM

5HB

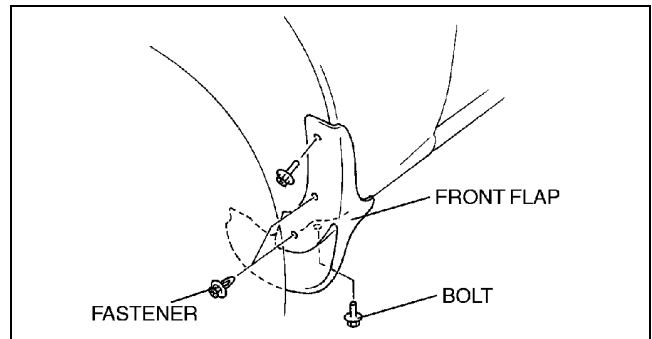
1. Remove the rear bumper.
2. Squeeze the clips with your fingers and remove the extractor chamber from the vehicle side.
3. Install in the reverse order of removal.



A3U0916W001

FRONT FLAP REMOVAL/INSTALLATION

1. Remove the bolts and fasteners.
2. Remove the front flap.
3. Install in the reverse order of removal.

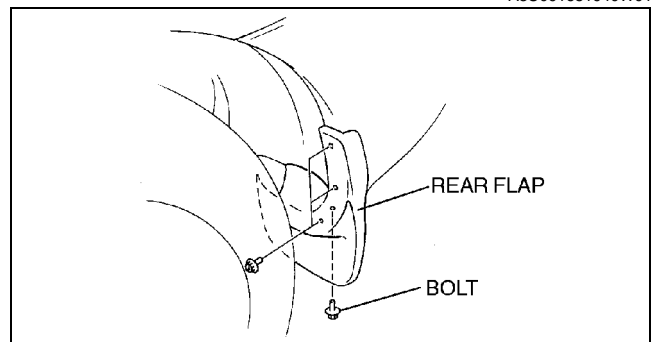


A3U091651840W01

X3U916WA2

REAR FLAP REMOVAL/INSTALLATION

1. Remove the bolts.
2. Remove the rear flap.
3. Install in the reverse order of removal.

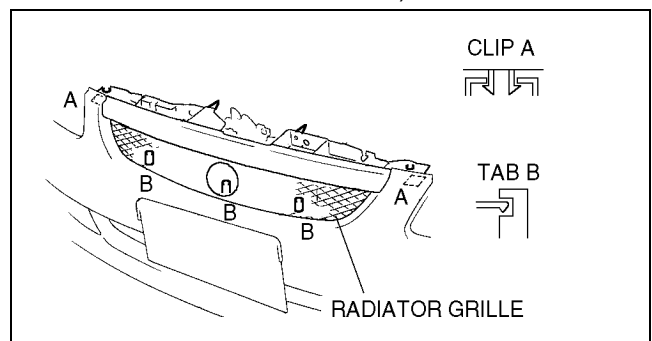


A3U091651940W01

X3U916WA3

RADIATOR GRILLE REMOVAL/INSTALLATION

1. Remove the front bumper. (See 09-10-5 FRONT BUMPER REMOVAL/INSTALLATION.)
2. Pull the radiator grille forward to disengage clips A and tabs B from the front bumper.
3. Install in the reverse order of removal.



A3U091650710W01

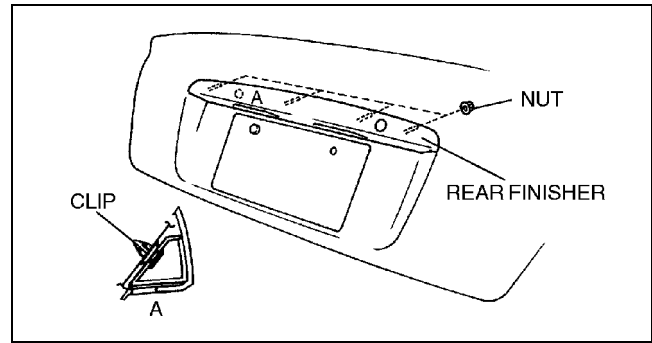
Y3E7728W001

EXTERIOR TRIM

REAR FINISHER REMOVAL/INSTALLATION

A3U091650810W01

1. Remove the nuts.
2. Pull the rear finisher toward you, then disengage clip A from the body.
3. Install in the reverse order of removal.

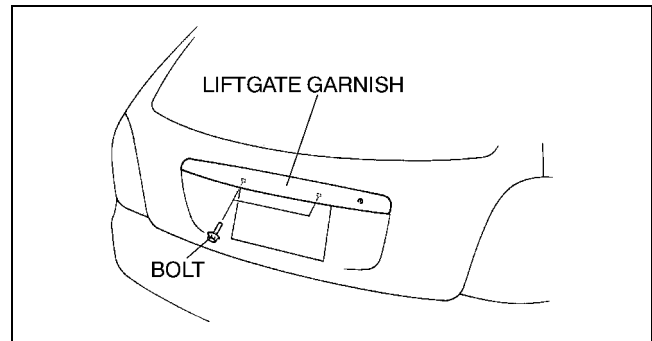


X3U916WA5

LIFTGATE GARNISH REMOVAL/INSTALLATION

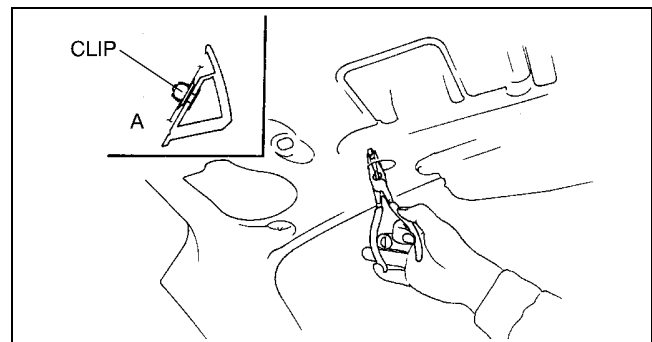
A3U091650810W02

1. Remove the liftgate key cylinder. (See 09–11–7 LIFTGATE REMOVAL/INSTALLATION.)
2. Remove the bolts.



A3U0916W004

3. Disengage clip A using pliers.
4. Pull the liftgate garnish downward, then remove it.
5. Install in the reverse order of removal.



A3U0916W005

SIDE PROTECTOR REMOVAL

A3U091650680W01

1. Pry the side protector end **20—30 mm {0.8—1.1 in}** using a flathead screwdriver or a razor.

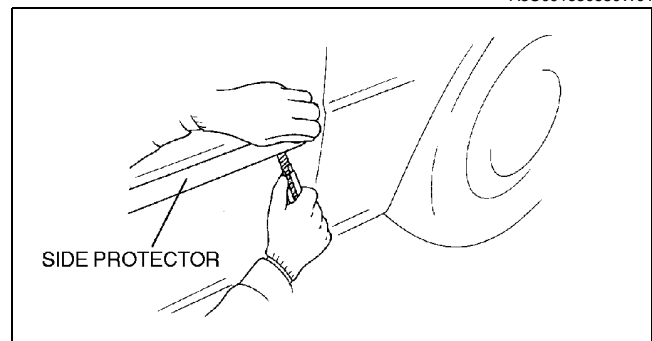
Warning

- Using a razor with bare hands can cause injury. Always wear gloves when using a razor.

2. Pull the side protector toward you, then remove it.

Note

- The side protector is installed with double-sided adhesive tape. If the side protector is difficult to remove, soften the double-sided adhesive tape using a hot air blower.



Y3U916WA1

EXTERIOR TRIM

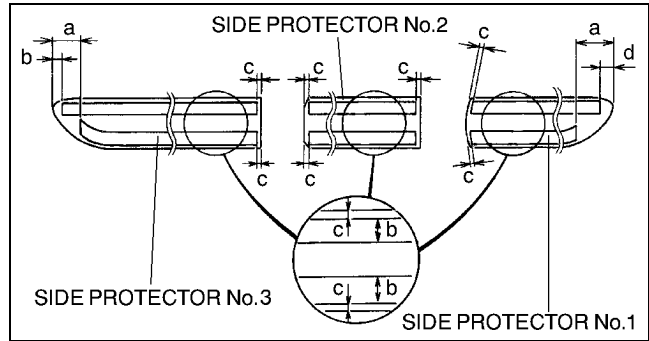
SIDE PROTECTOR INSTALLATION

A3U091650680W02

1. Remove the adhesive remaining on the side protector (if it will be reused) and the body using a razor.
2. Remove any grease or dirt from the adhesion surface of the side protector (if it will be reused) and the body.
3. Attach double-sided adhesive tape to the side protector as shown (if it will be reused).

Clearance

- a: 25.0 mm {0.98 in}
- b: 7.0 mm {0.28 in}
- c: 1.0—3.0 mm {0.04—0.11 in}
- d: 9.0 mm {0.35 in}

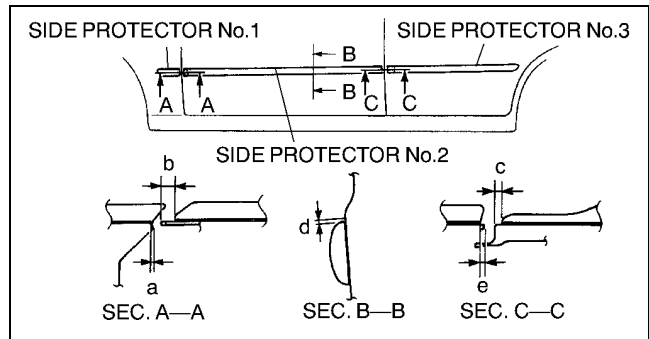


A3U0916W002

4. Peel off the backing from the double-sided adhesive tape and attach the side protector onto the body as shown.

Clearance

- a: 0.66—3.66 mm {0.03—0.14 in}
- b: 7.74 mm {0.30 in}
- c: 4.0—7.0 mm {0.16—0.27 in}
- d: 0.5—3.5 mm {0.02—0.13 in}
- e: 3.0—6.0 mm {0.12—0.23 in}

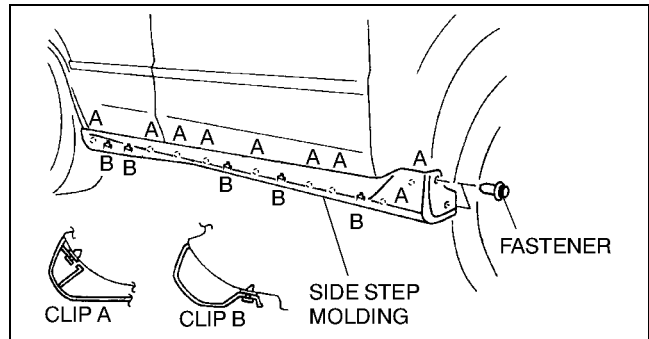


A3U0916W003

SIDE STEP MOLDING REMOVAL/INSTALLATION

A3U091651100W01

1. Remove the fasteners and clips B.
2. Disengage clips A from the vehicle front to remove the side step molding.
3. Install in the reverse order of removal.

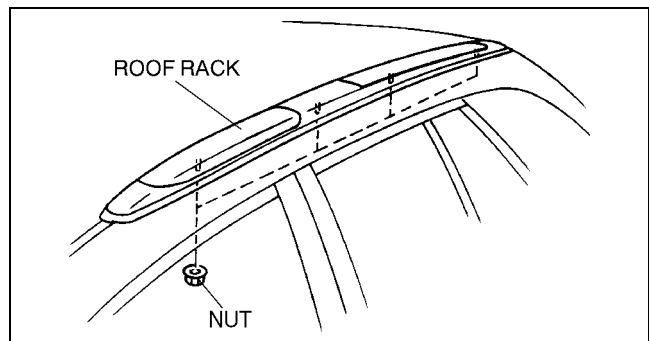


A3U0916W008

ROOF RACK REMOVAL/INSTALLATION

A3U091651720W01

1. Remove the headliner.
2. Remove the nuts.
3. Pull the roof rack upward, then remove the roof rack from the roof.
4. Install in the reverse order of removal.



Z4F7728W001

EXTERIOR TRIM

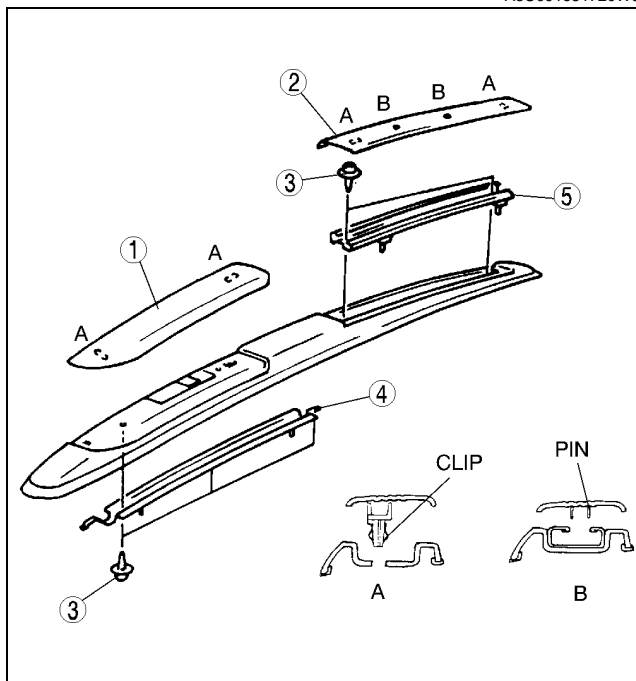
ROOF RACK DISASSEMBLY/ASSEMBLY

A3U091651720W02

1. Disassemble in the order indicated in the table.

1	Front cap
2	Rear cap
3	Screw
4	Front stay
5	Rear stay

2. Assemble in the reverse order of disassembly.



Z4F7728W002

ROOF CARRIER REMOVAL/INSTALLATION

A3U091651720W03

Caution

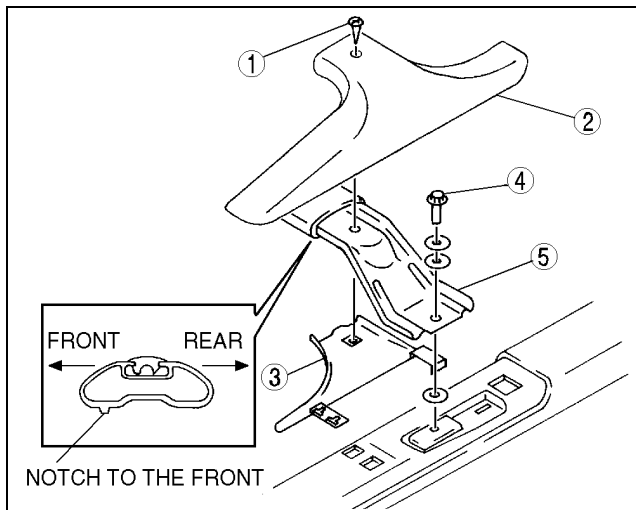
- When installing the front carrier bar to the vehicle, use two or more people to do the work and do not scratch the vehicle body.

Front

1. Remove in the order indicated in the table.

1	Screw
2	Cover A
3	Cover B
4	Bolt
5	Front carrier bar (See 09-16-6 Front Carrier Bar Installation Note.)

2. Install in the reverse order of removal.

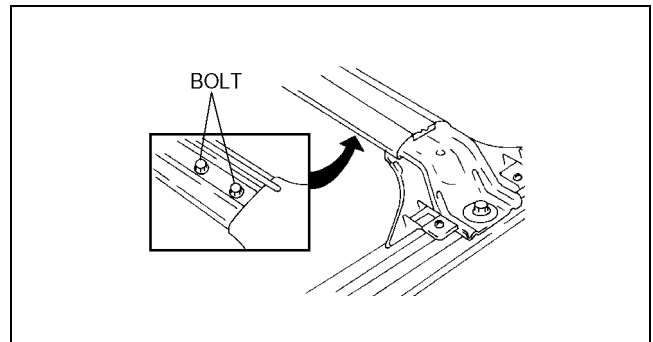


A3U0916W011

EXTERIOR TRIM

Front Carrier Bar Installation Note

- Loosen the bolt under the front carrier bar, and adjust the front carrier bar position.



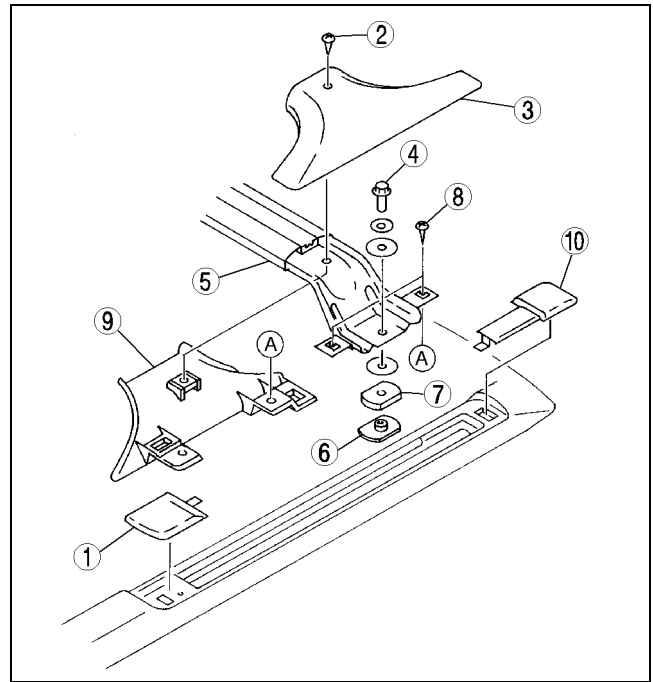
A3U0916W014

Rear

- Remove in the order indicated in the table.

1	Front cover
2	Screw A
3	Cover A
4	Bolt
5	Rear carrier bar (See 09-16-6 Rear Carrier Bar Removal Note.) (See 09-16-7 Rear Carrier Bar Installation Note.)
6	Spacer
7	Stay
8	Screw B
9	Cover B
10	Rear cover

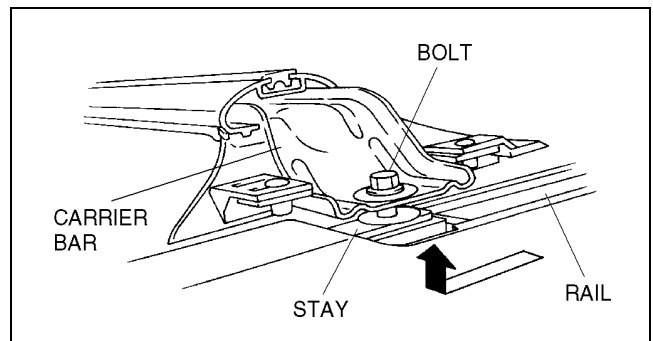
- Install in the reverse order of removal.



A3U0916W013

Rear Carrier Bar Removal Note

- Loosen the bolt, slide the rear carrier bar and stay, and remove them from the rail.

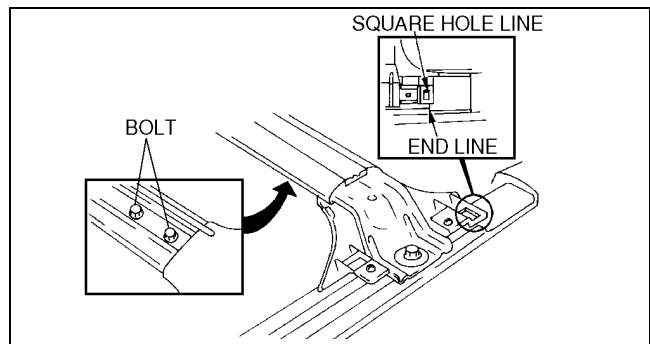


A3U0916W010

EXTERIOR TRIM

Rear Carrier Bar Installation Note

1. Loosen the bolt under the rear carrier bar, and adjust the rear carrier bar position.
2. When the rear carrier bar is in the final position, align the square hole line for cover B with the rear cover line.

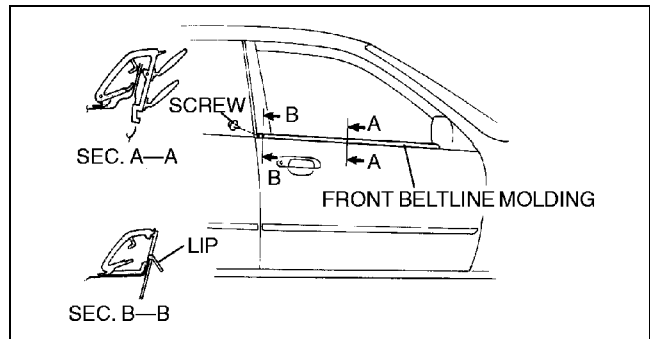


A3U0916W012

FRONT BELTLINE MOLDING REMOVAL/INSTALLATION

1. Open the front door glass fully.
2. Remove the screw.
3. Pull the front beltline molding up, then remove it.
4. Install in the reverse order of removal.

A3U091650640W01

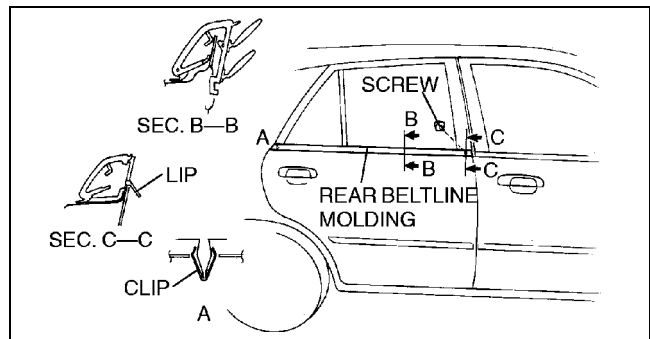


X3U916WA9

REAR BELTLINE MOLDING REMOVAL/INSTALLATION

1. Remove the rear door glass. (See 09-11-5 REAR DOOR DISASSEMBLY/ASSEMBLY.)
2. Remove the screw.
3. Pull the rear beltline molding up, then disengage clip A.
4. Install in the reverse order of removal.

A3U091650660W01



X3U916WAA

REAR WINDOW GLASS MOLDING REMOVAL

A3U091650690W01

Note

- Rear window glass molding is a replacement part.

1. Remove the rear window glass. (See 09-12-11 REAR WINDOW GLASS REMOVAL.)
2. Remove the rear window glass molding from the rear window glass.

REAR WINDOW GLASS MOLDING INSTALLATION

A3U091650690W02

Note

- Rear window glass molding is a replacement part.

1. Install the rear window glass molding to the rear window glass. (See 09-12-14 REAR WINDOW GLASS INSTALLATION.)

EXTERIOR TRIM

WINDSHIELD MOLDING REMOVAL

A3U091650600W01

Note

- Windshield molding is a replacement part.

1. Remove the windshield. (See 09–12–19 WINDSHIELD REMOVAL.)
2. Remove the windshield molding from the windshield.

WINDSHIELD MOLDING INSTALLATION

A3U091650600W02

Note

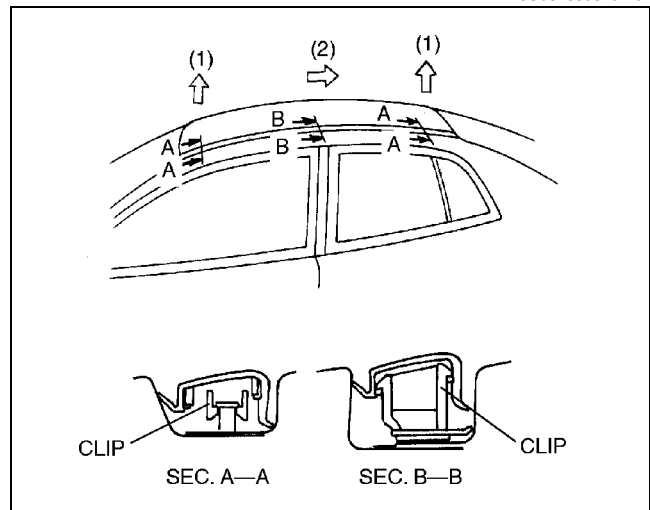
- Windshield molding is a replacement part.

1. Install the windshield molding to the windshield. (See 09–12–21 WINDSHIELD INSTALLATION.)

ROOF MOLDING REMOVAL/INSTALLATION

A3U091650620W01

1. Pull the front edge and rear edge of the roof molding up (1).
2. Slide the roof molding rearward, then remove it (2).
3. Install in the reverse order of removal.



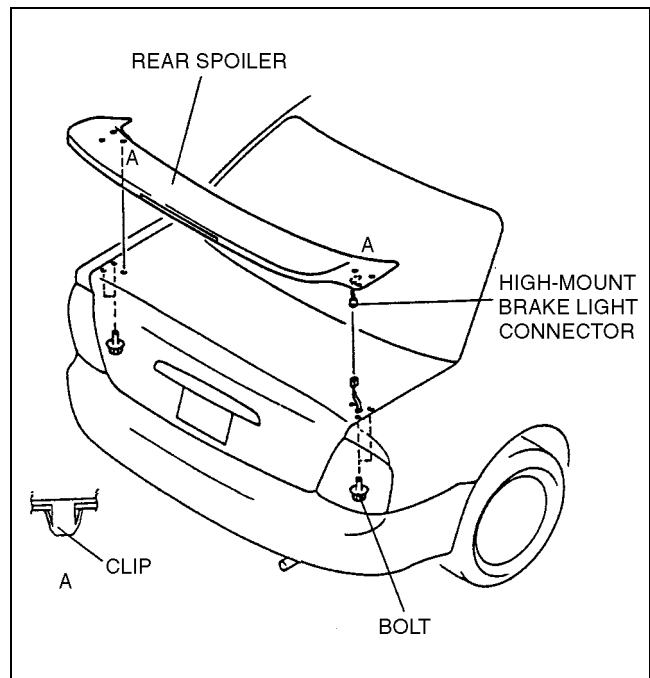
X3U916WAB

REAR SPOILER REMOVAL/INSTALLATION

A3U091651950W01

4SD

1. Disconnect the negative battery cable.
2. Disconnect the high-mount brake light connector.
3. Remove the bolts.
4. Pull the rear spoiler upward, then remove it.
5. Install in the reverse order of removal.

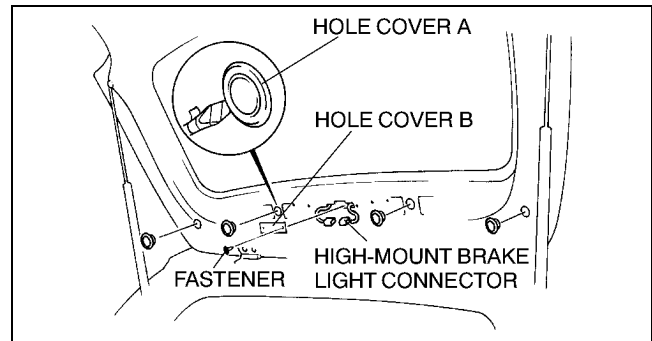


Y3U916WA0

EXTERIOR TRIM

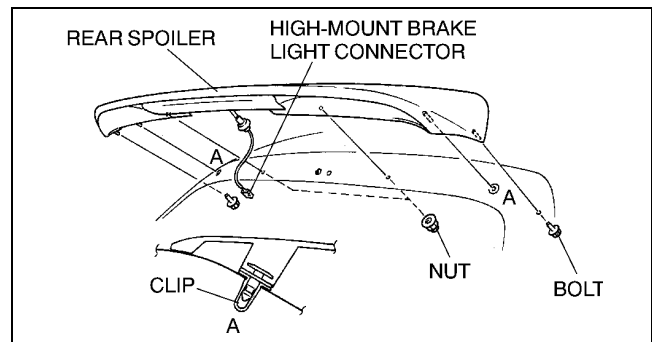
5HB

1. Disconnect the negative battery cable.
2. Remove the hole cover A using a tape-wrapped screwdriver.
3. Remove the fasteners, then remove hole cover B.
4. Pull out the high-mount brake light connector, then disconnect it.



A3U0916W006

5. Remove the bolts and nuts.
6. Pull the rear spoiler upward, then disengage clips A from the body.
7. Install in the reverse order of removal.



A3U0916W007

09-16