

## 09-13 SEATS

### FRONT SEAT

<b>REMOVAL/INSTALLATION</b> . . . . .	<b>09-13-1</b>
Side Air Bag Module Connector	
Removal Note . . . . .	<b>09-13-1</b>
Side Air Bag Module Connector	
Installation Note . . . . .	<b>09-13-2</b>
Buckle Switch Connector	
Installation Note . . . . .	<b>09-13-2</b>

### FRONT SEAT

<b>DISASSEMBLY/ASSEMBLY</b> . . . . .	<b>09-13-2</b>
Driver's Seat . . . . .	<b>09-13-2</b>
Passenger's Seat . . . . .	<b>09-13-4</b>
<b>REAR SEAT REMOVAL/INSTALLATION</b>	<b>09-13-5</b>
4SD . . . . .	<b>09-13-5</b>
5HB . . . . .	<b>09-13-5</b>
<b>REAR SEAT DISASSEMBLY/ASSEMBLY</b>	<b>09-13-7</b>
4SD . . . . .	<b>09-13-7</b>
5HB . . . . .	<b>09-13-8</b>

### FRONT SEAT REMOVAL/INSTALLATION

A3U091357100W01

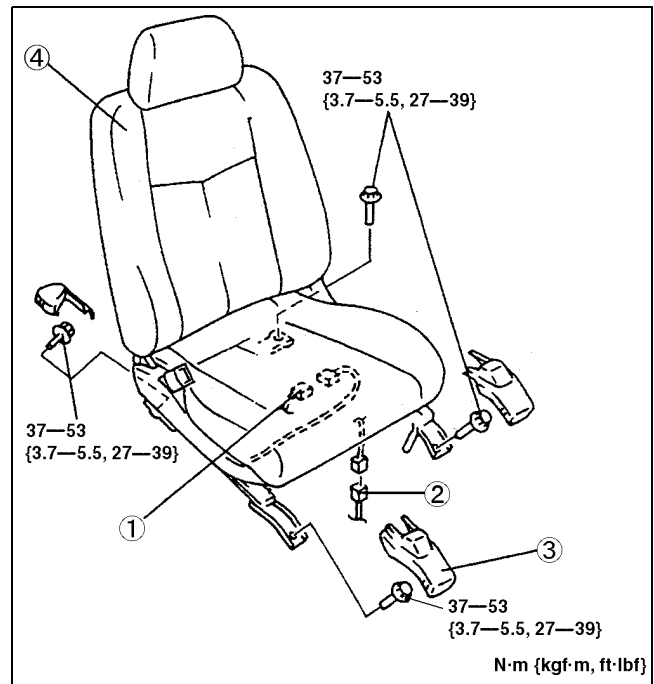
#### Warning

- Handling the front seat (side air bag) improperly can accidentally deploy the side air bag, which may seriously injure you. Read AIR BAG SYSTEM SERVICE WARNINGS before handling the front seat. (See 08-10-3 AIR BAG SYSTEM SERVICE WARNINGS.)

1. Turn the ignition switch to the LOCK position.
2. Disconnect the negative battery cable and wait for **more than 1 minute**.
3. Remove in the order indicated in the table.

1	Side air bag module connector (Vehicles with side air bag) (See 09-13-1 Side Air Bag Module Connector Removal Note) (See 09-13-2 Side Air Bag Module Connector Installation Note)
2	Buckle switch connector (See 09-13-2 Buckle Switch Connector Installation Note)
3	Cover
4	Front seat

4. Install in the reverse order of removal.



N·m {kgf·m, ft·lbf}

Z3U0913W001

09-13

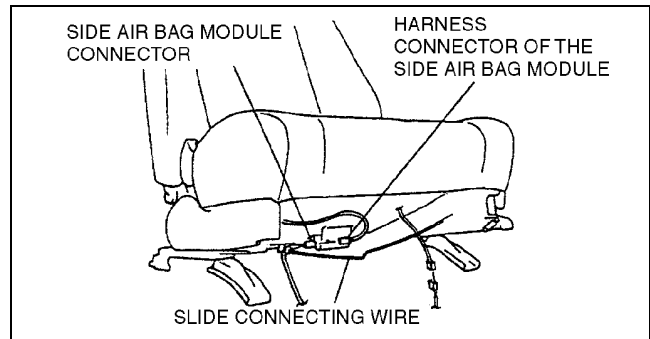
#### Side Air Bag Module Connector Removal Note

1. Remove the connector from the seat cushion frame, then disconnect the side air bag module connector.

## SEATS

### Side Air Bag Module Connector Installation Note

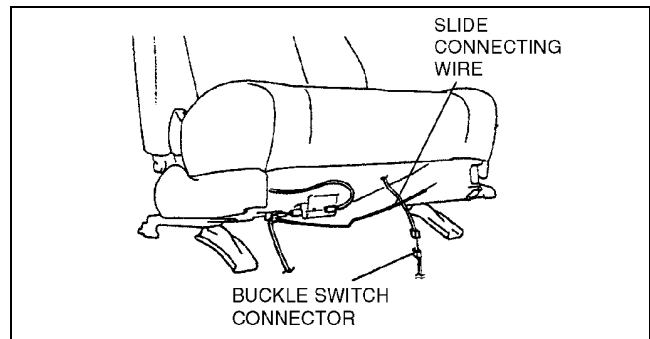
1. Be sure to pass the side air bag module connector (vehicle-side harness connector) under the slide connecting wire before connecting it to the harness connector of the side air bag module.
2. After connecting the connectors, secure them to the seat cushion frame.



Y3U913WA1

### Buckle Switch Connector Installation Note

1. Be sure to pass the harness connector of the buckle switch under the slide connecting wire before connecting it to the buckle switch connector (vehicle-side harness connector).



Y3U913WA2

## FRONT SEAT DISASSEMBLY/ASSEMBLY

### Driver's Seat

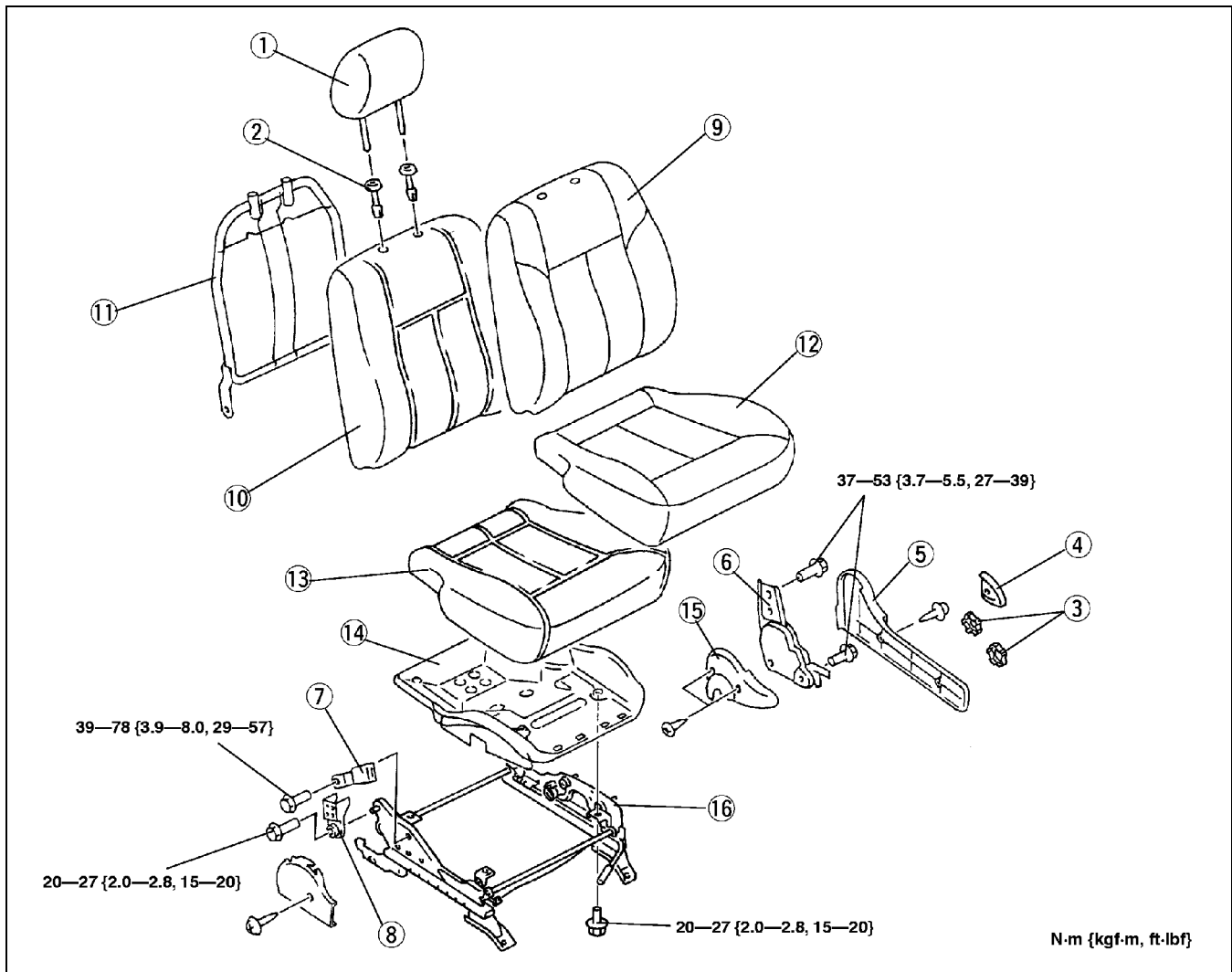
A3U091357100W02

#### Warning

- Handling the front seat (side air bag) improperly can accidentally deploy the side air bag, which may seriously injure you. Read AIR BAG SYSTEM SERVICE WARNINGS before handling the front seat. (See 08-10-3 AIR BAG SYSTEM SERVICE WARNINGS.)

1. Remove the driver-side side air bag module. (See 08-10-5 DRIVER-SIDE AIR BAG MODULE REMOVAL/INSTALLATION.)
2. Disassemble in the order indicated in the table.
3. Assemble in the reverse order of disassembly.

# SEATS



09-13

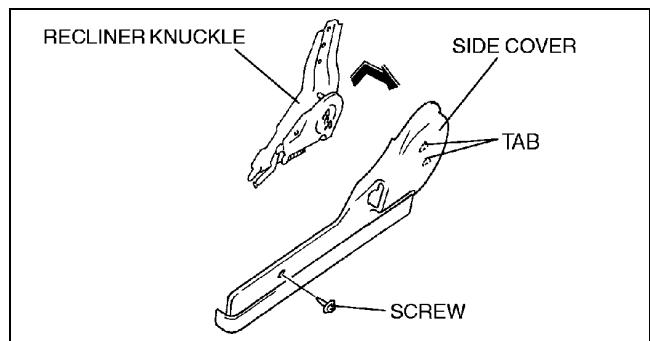
X3U913WA5

1	Headrest
2	Pole guide
3	Tilt dial
4	Recliner lever
5	Side cover (See 09-13-3 Side cover removal note)
6	Recliner knuckle
7	Front buckle
8	Hinge cover

9	Seat back trim
10	Seat back pad
11	Seat back frame
12	Seat cushion trim
13	Seat cushion pad
14	Seat cushion frame
15	Reverse cover
16	Slide adjuster

### Side cover removal note

1. Remove the screws.
2. Lift the side cover up in the direction of the arrow, then unhook it from the recliner knuckle.



Y3U913WA3

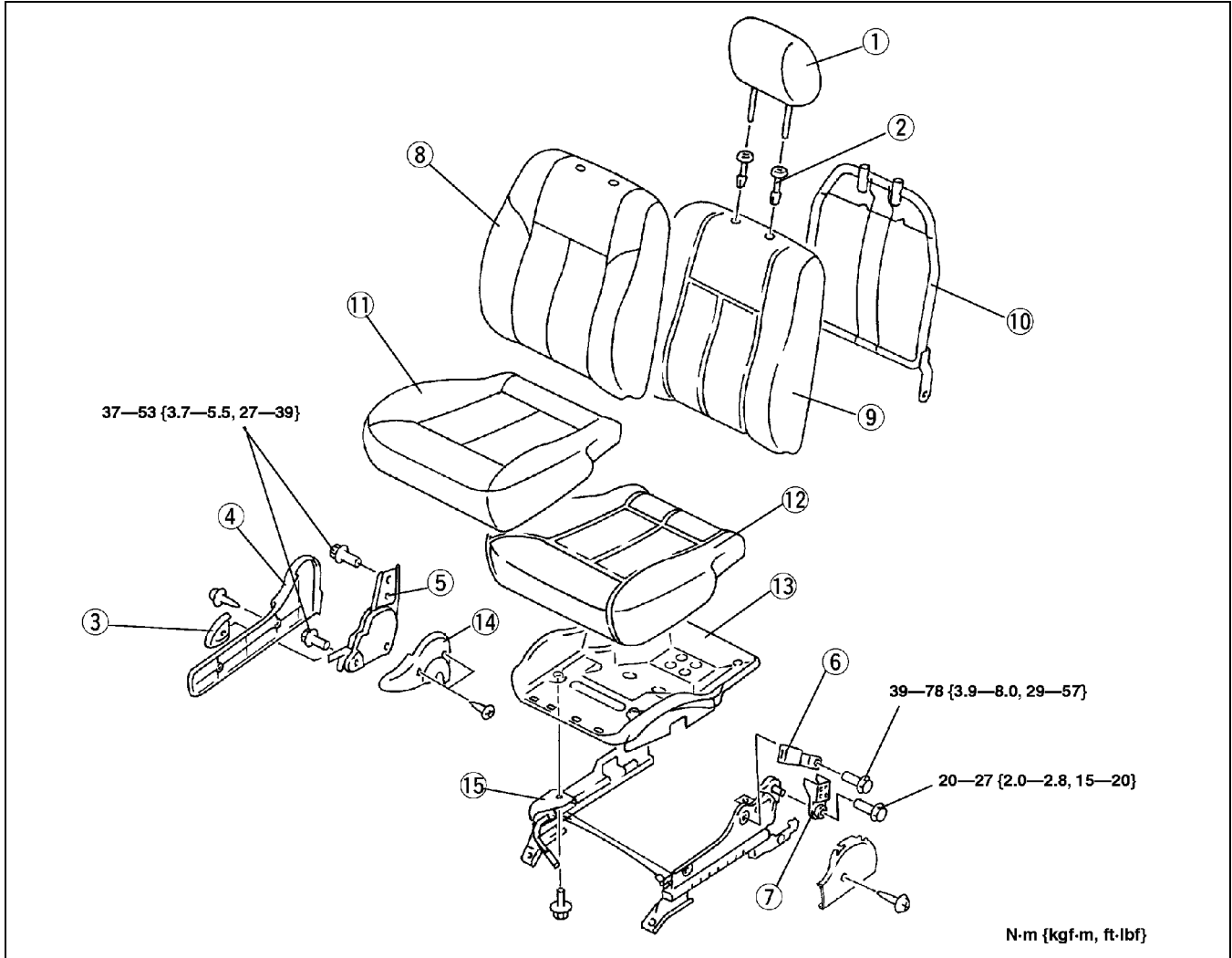
# SEATS

## Passenger's Seat

### Warning

- Handling the front seat (side air bag) improperly can accidentally deploy the side air bag, which may seriously injure you. Read AIR BAG SYSTEM SERVICE WARNINGS before handling the front seat. (See 08-10-3 AIR BAG SYSTEM SERVICE WARNINGS.)

1. Remove the passenger-side side air bag module. (See 08-10-6 PASSENGER-SIDE AIR BAG MODULE REMOVAL/INSTALLATION.)
2. Disassemble in the order indicated in the table.
3. Assemble in the reverse order of disassembly.



X3U913WA6

1	Headrest
2	Pole guide
3	Recliner lever
4	Side cover (See 09-13-3 Side cover removal note)
5	Recliner knuckle
6	Front buckle
7	Hinge cover

8	Seat back trim
9	Seat back pad
10	Seat back frame
11	Seat cushion trim
12	Seat cushion pad
13	Seat cushion frame
14	Reverse cover
15	Slide adjuster

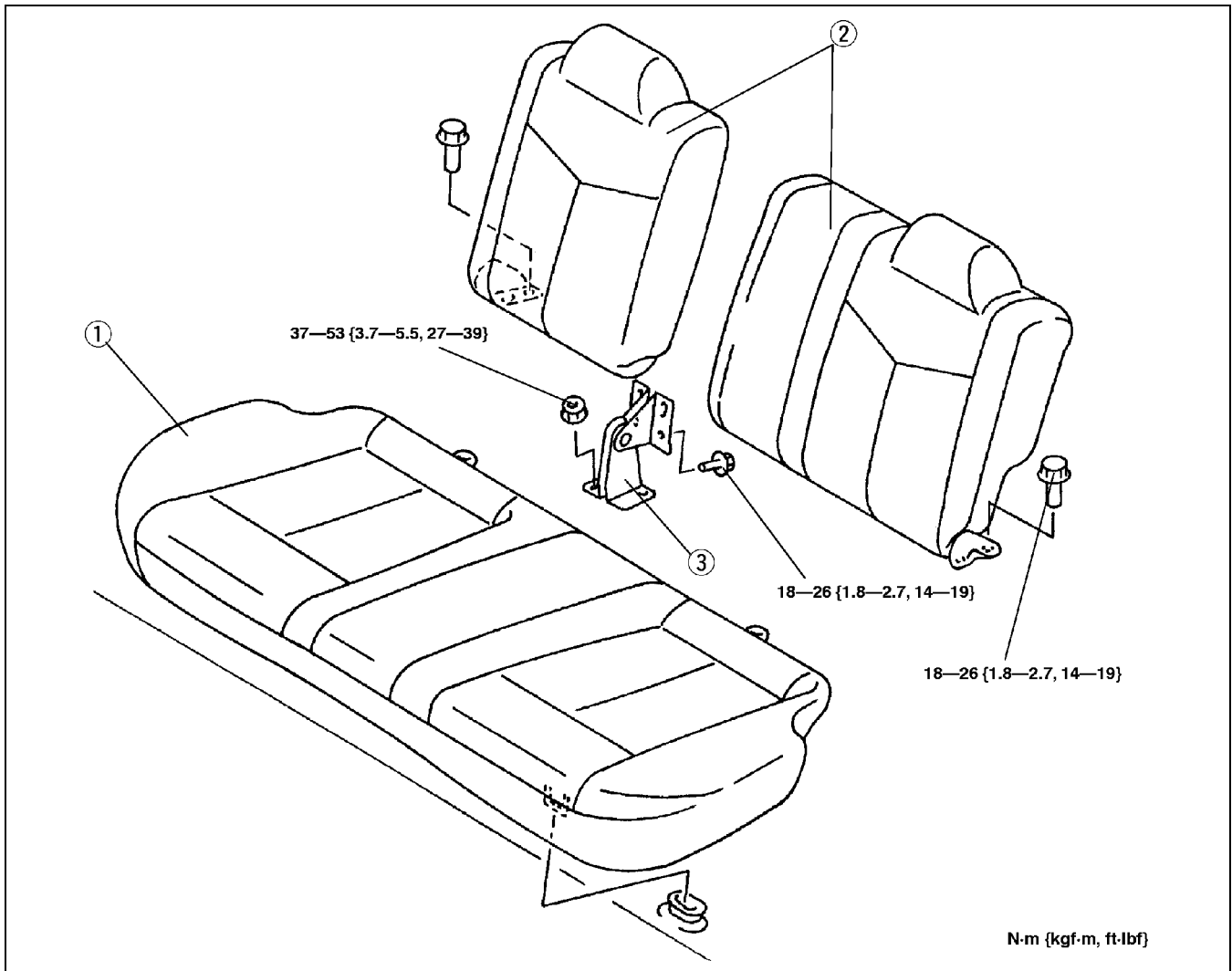
# SEATS

## REAR SEAT REMOVAL/INSTALLATION

A3U091357200W01

### 4SD

1. Remove in the order indicated in the table.
2. Install in the reverse order of removal.



X3U913WA9

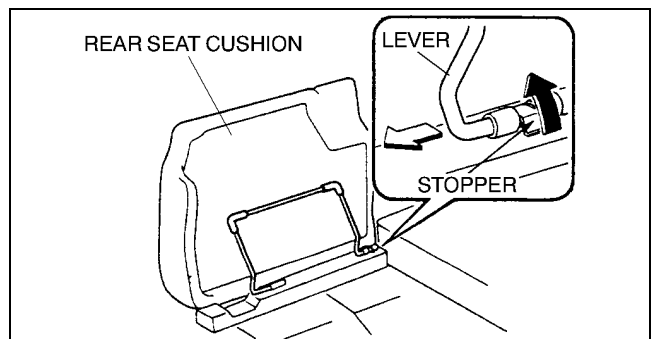
1	Rear seat cushion
2	Rear seat back

3	Center hinge
---	--------------

### 5HB

#### Rear seat cushion

1. Lift up the rear seat cushion.
2. Pull the stopper to release the lever, and remove the rear seat cushion.
3. Install in the reverse order of removal.



A3U0913W001

09-13

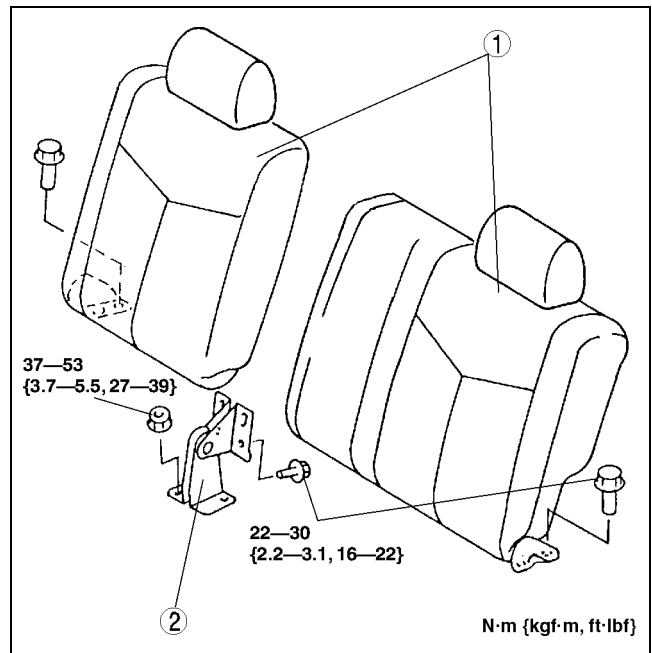
# SEATS

## Rear seat back

1. Lift up the rear seat cushion.
2. Remove the service hole cover.
3. Remove in the order indicated in the table.

1	Rear seat back
2	Center hinge

4. Install in the reverse order of removal.



A3U0913W002

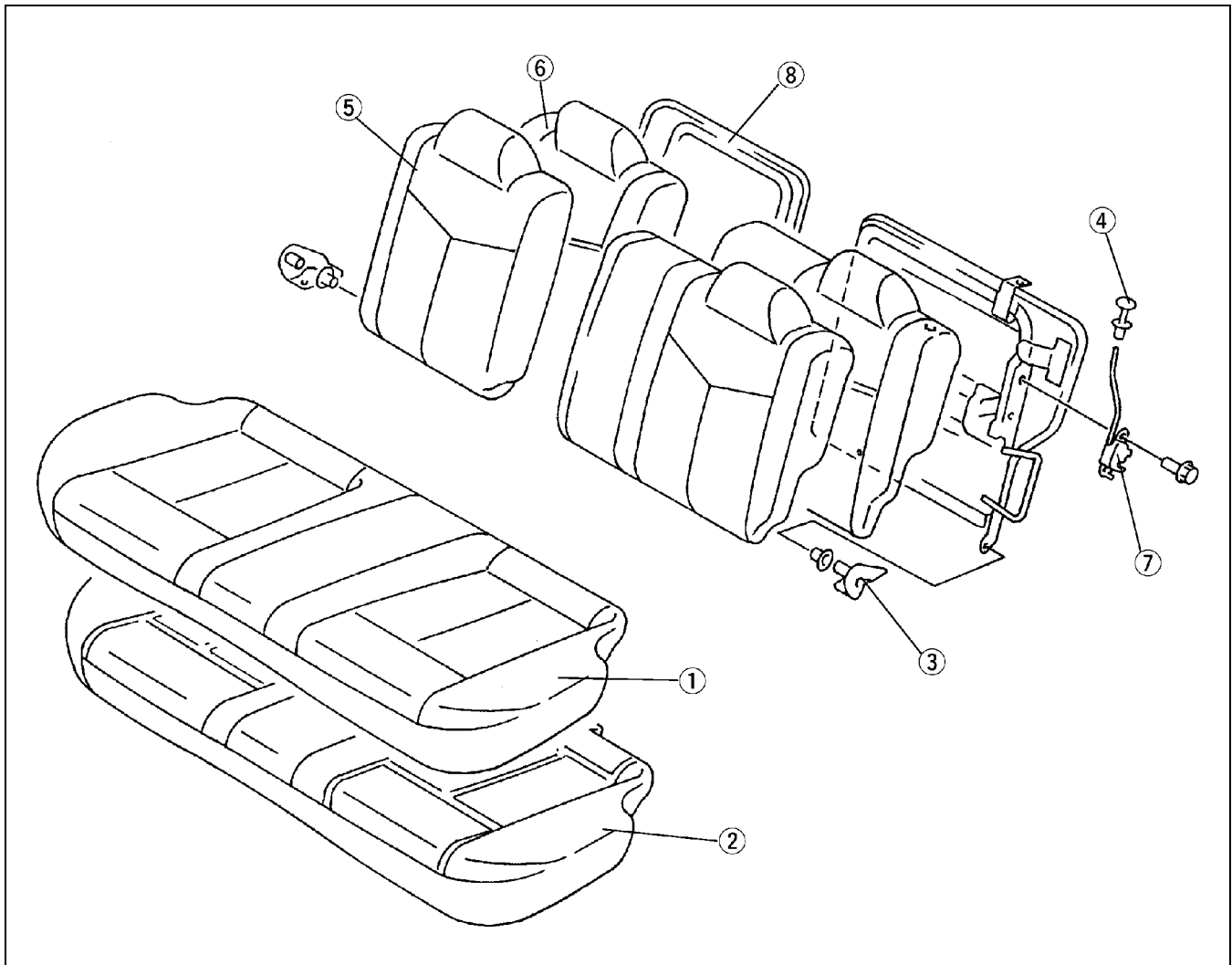
# SEATS

## REAR SEAT DISASSEMBLY/ASSEMBLY

A3U091357200W02

### 4SD

1. Disassemble in the order indicated in the table.
2. Assemble in the reverse order of disassembly.



X3U913WAB

1	Seat cushion trim
2	Seat cushion pad
3	Side hinge
4	Recliner knob

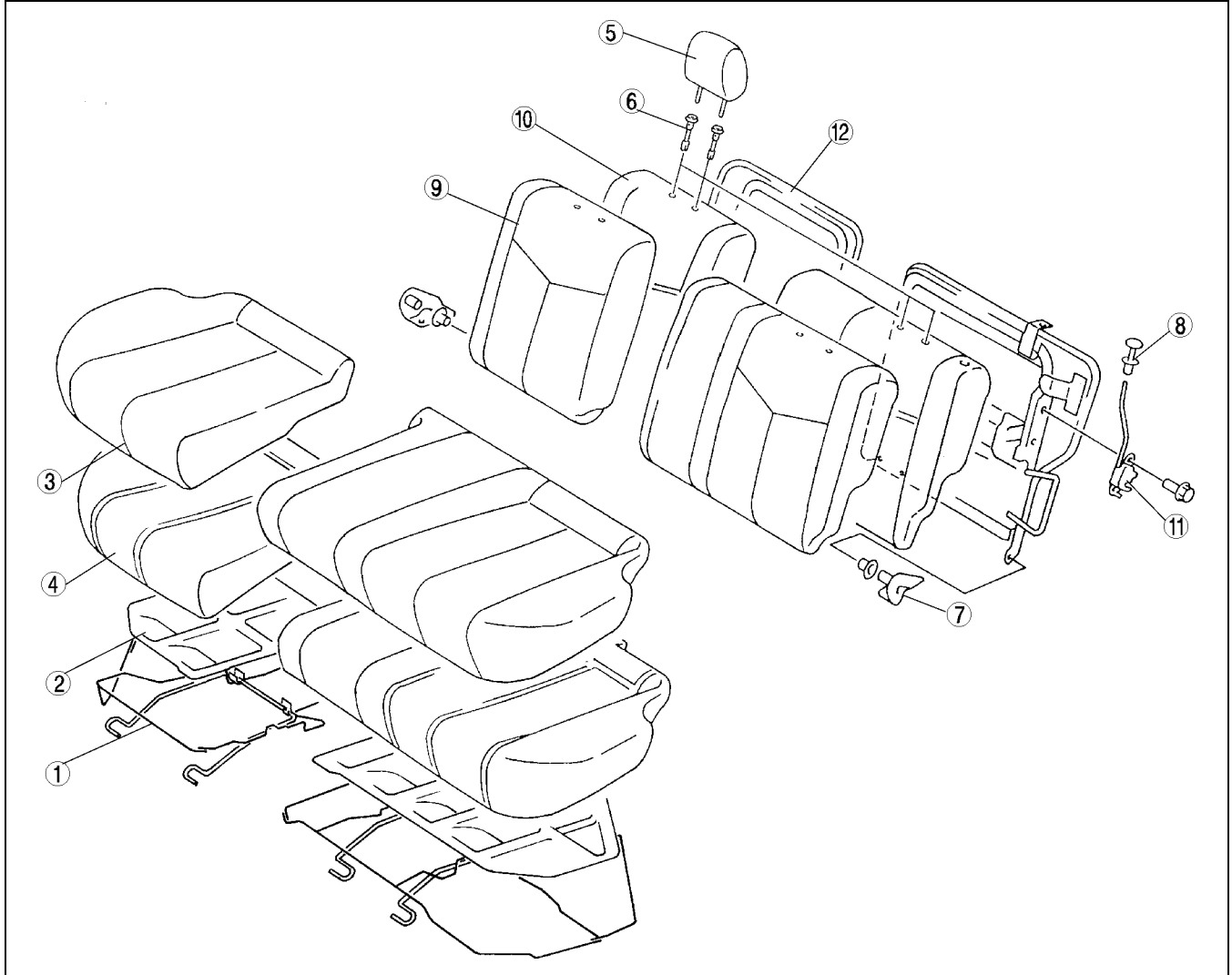
5	Seat back trim
6	Seat back pad
7	Rear back catch
8	Seat back frame

09-13

# SEATS

## 5HB

1. Disassemble in the order indicated in the table.
2. Assemble in the reverse order of disassembly.



A3U0913W003

1	Seat cushion frame
2	Seat cushion pad cover
3	Seat cushion trim
4	Seat cushion pad
5	Headrest
6	Pole guide

7	Side hinge
8	Recliner knob
9	Seat back trim
10	Seat back pad
11	Rear back catch
12	Seat back frame