

09-11 DOORS AND LIFTGATE

FRONT DOOR ADJUSTMENT 09-11-1
 FRONT DOOR
 REMOVAL/INSTALLATION 09-11-1
 Connector Removal Note 09-11-2
 Connector Installation Note 09-11-2
 FRONT DOOR
 DISASSEMBLY/ASSEMBLY 09-11-2
 REAR DOOR ADJUSTMENT 09-11-4

REAR DOOR
 REMOVAL/INSTALLATION 09-11-4
 Connector Removal Note 09-11-5
 Connector Installation Note 09-11-5
 REAR DOOR
 DISASSEMBLY/ASSEMBLY 09-11-5
 LIFTGATE
 REMOVAL/INSTALLATION 09-11-7
 LIFTGATE ADJUSTMENT 09-11-9
 STAY DAMPER DISPOSAL 09-11-9

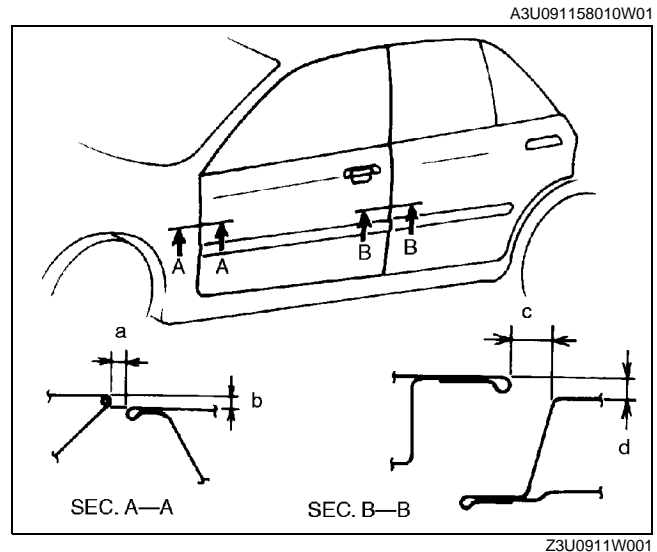
FRONT DOOR ADJUSTMENT

- Measure the gap and height between the front door and the body.
 - If not as specified, loosen the door hinge installation bolts or the door lock striker installation screws, and reposition the door. (See 09-11-1 FRONT DOOR REMOVAL/INSTALLATION.) (See 09-14-7 DOOR LOCK STRIKER REMOVAL/INSTALLATION.)

Clearance

- a: 3.0—5.0 mm {0.12—0.19 in}
- b: -1.0—1.0 mm {-0.040—0.039 in}
- c: 3.5—5.5 mm {0.14—0.21 in}
- d: -1.0—0.5 mm {-0.040—0.019 in}

- Tighten the bolts or screws.

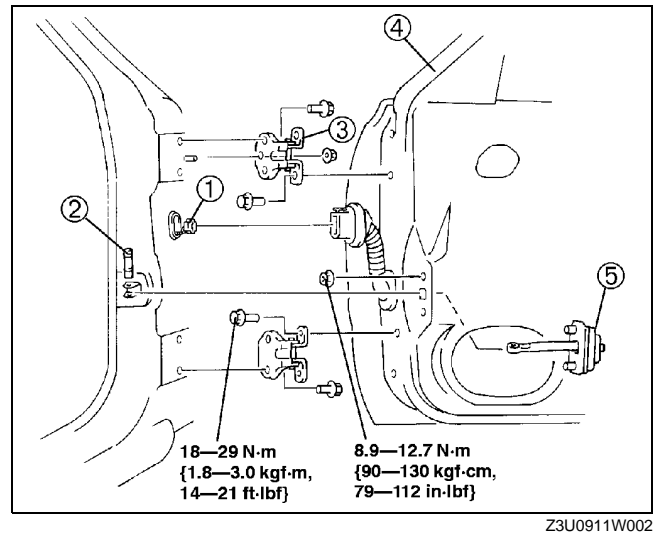


FRONT DOOR REMOVAL/INSTALLATION

- Disconnect the negative battery cable.
- To remove the front door hinge, remove the front fender panel. (See 09-10-8 FRONT FENDER PANEL REMOVAL/INSTALLATION.)
- To remove the checker, remove the door speaker. (See 09-20-3 FRONT DOOR SPEAKER REMOVAL/INSTALLATION.)
- Remove in the order indicated in the table.

1	Connector (See 09-11-2 Connector Removal Note) (See 09-11-2 Connector Installation Note)
2	Checker pin
3	Front door hinge
4	Front door
5	Checker

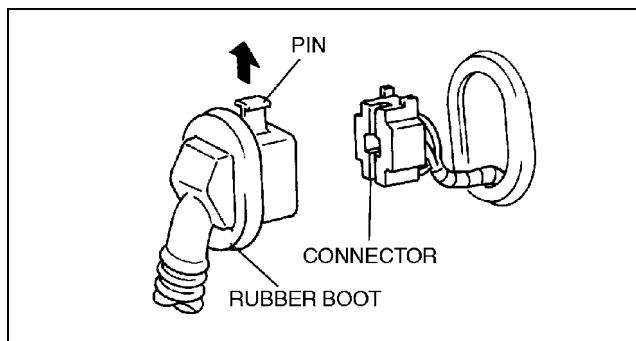
- Install in the reverse order of removal.
- Adjust the front door. (See 09-11-1 FRONT DOOR ADJUSTMENT.)



DOORS AND LIFTGATE

Connector Removal Note

1. Push the rubber boot backward.
2. Pull the pin up.
3. Remove the rubber boot from the connector.



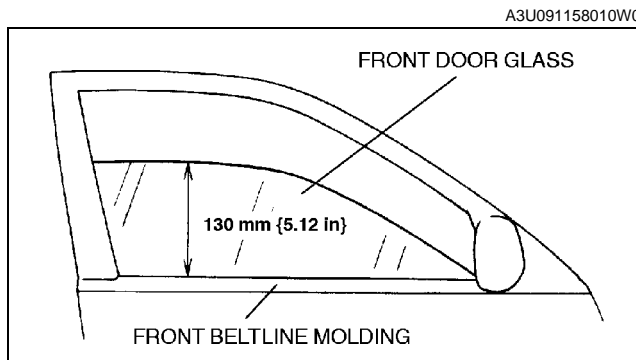
X3U911WA2

Connector Installation Note

1. Connect the connector and the rubber boot.
2. Push the pin down.
3. Install the rubber boot on the body.

FRONT DOOR DISASSEMBLY/ASSEMBLY

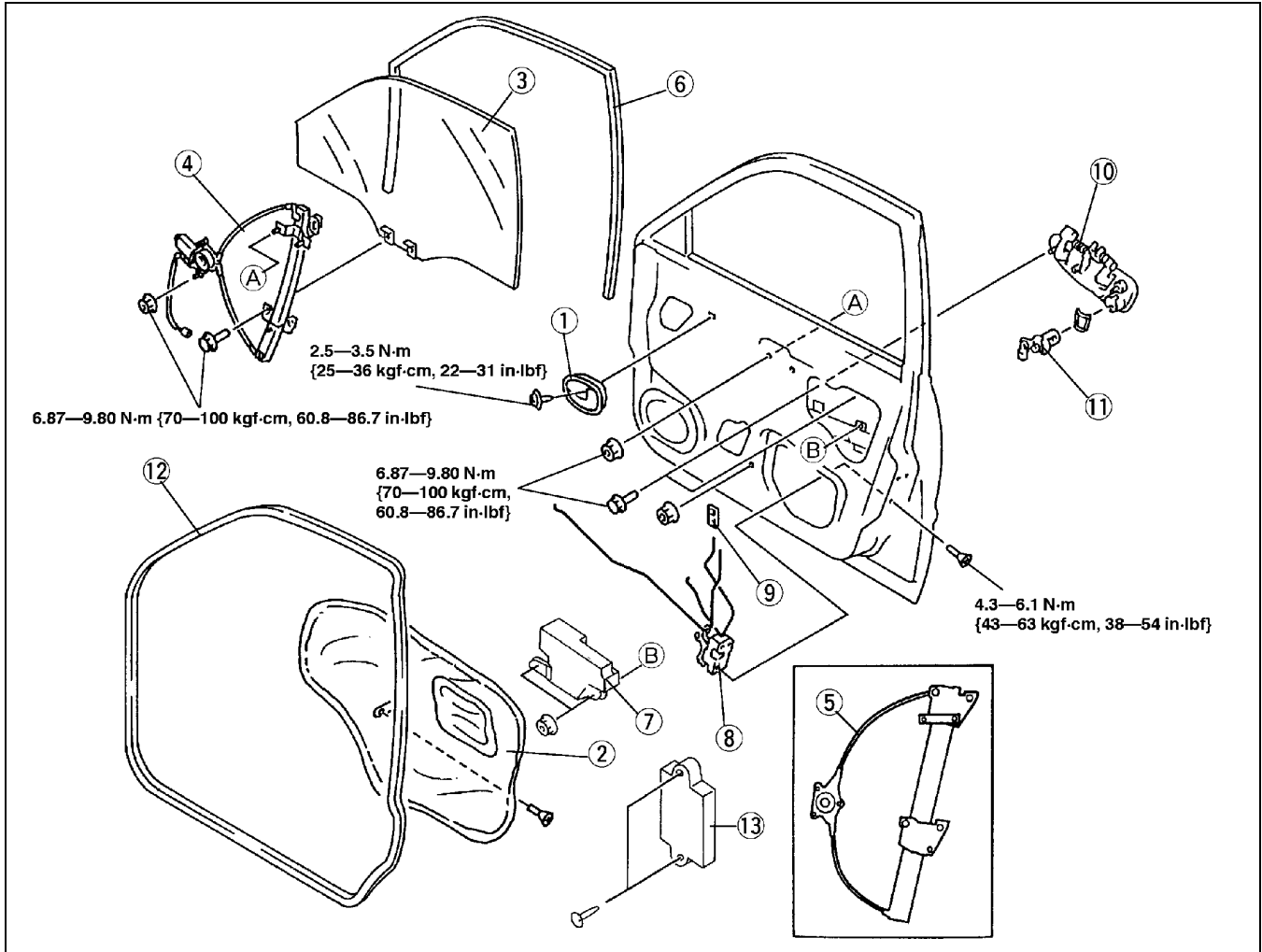
1. Lower or raise the front door glass so that the distance from the top of the front door glass at the rear end to the upper part of the front beltline molding is **130 mm {5.12 in}**.
2. Disconnect the negative battery cable.
3. Remove the front door trim. (See 09-17-9 FRONT DOOR TRIM REMOVAL/INSTALLATION.)



A3U091158010W03
Y3U911W01

DOORS AND LIFTGATE

4. Disassemble in the order indicated in the table.
5. Assemble in the reverse order of disassembly.



X3U911WA3

09-11

1	Inner handle
2	Door screen
3	Front door glass
4	Front power window regulator
5	Front manual window regulator
6	Glass run channel
7	Crush pad A

8	Front door lock
9	Door lock knob
10	Outer handle
11	Door key cylinder
12	Door weatherstrip
13	Crush pad B

DOORS AND LIFTGATE

REAR DOOR ADJUSTMENT

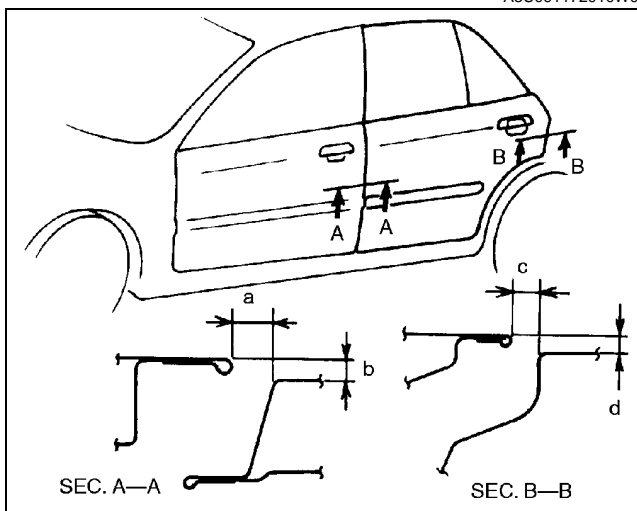
A3U091172010W01

1. Measure the gap and height between the rear door and the body.
 - If not as specified, loosen the door hinge installation bolts or the door lock striker installation screws, and reposition the door. (See 09-11-4 REAR DOOR REMOVAL/INSTALLATION.) (See 09-14-7 DOOR LOCK STRIKER REMOVAL/INSTALLATION.)

Clearance

- a: 3.5—5.5 mm {0.14—0.21 in}
- b: -1.0—0.5 mm {-0.040—0.019 in}
- c: 3.0—5.0 mm {0.12—0.19 in}
- d: -1.0—1.0 mm {-0.040—0.039 in}

2. Tighten the bolts or screws.



Z3U0911W004

REAR DOOR REMOVAL/INSTALLATION

A3U091172010W02

Warning

- Handling the side air bag sensor improperly can accidentally deploy the side air bag module, which may seriously injure you. Read AIR BAG SYSTEM SERVICE WARNINGS before working around the B-pillar areas. (See 08-10-3 AIR BAG SYSTEM SERVICE WARNINGS.)

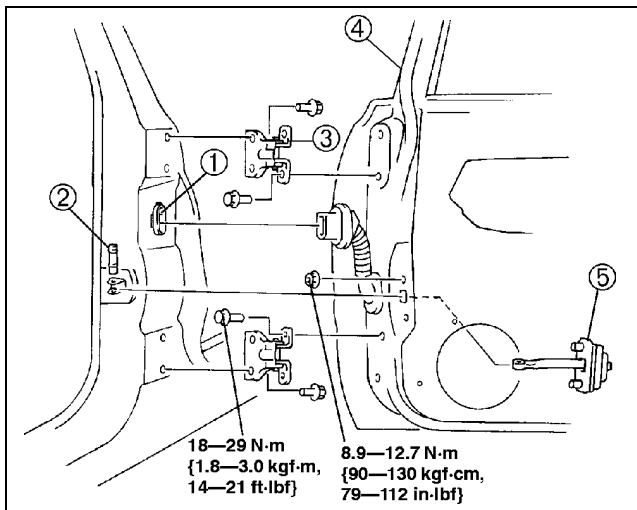
Note

- The side air bag sensor is located in the B-pillar.

1. Disconnect the negative battery cable.
2. To remove the checker, turn the door screen over.
3. Remove in the order indicated in the table.
4. Install in the reverse order of removal.

1	Connector (See 09-11-5 Connector Removal Note) (See 09-11-5 Connector Installation Note)
2	Checker pin
3	Rear door hinge
4	Rear door
5	Checker

5. Adjust the rear door. (See 09-11-4 REAR DOOR ADJUSTMENT.)

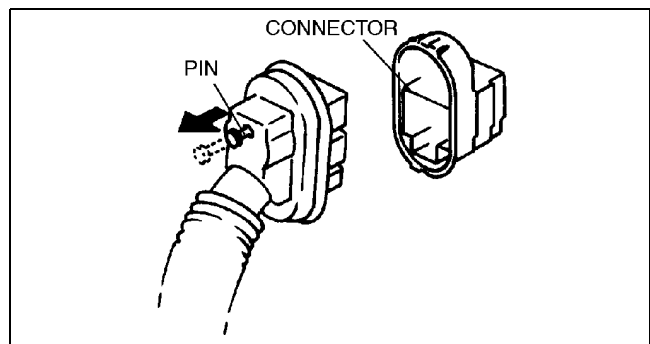


Z3U0911W003

DOORS AND LIFTGATE

Connector Removal Note

1. Pull the pin outward.
2. Disconnect the connector.



X3U911WA6

Connector Installation Note

1. Push the pin in.
2. Connect the connector.
3. Push the pin in again.

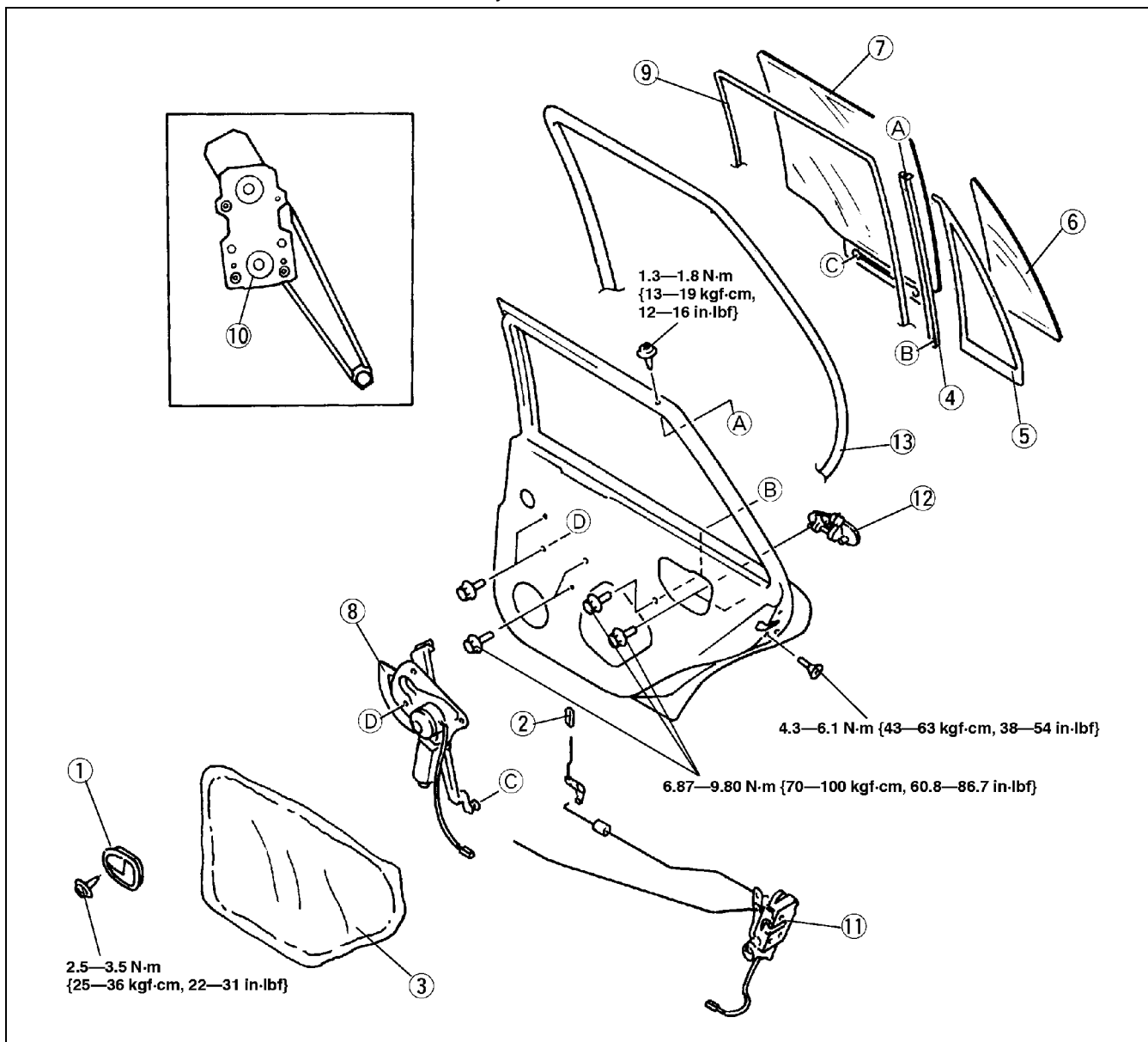
REAR DOOR DISASSEMBLY/ASSEMBLY

A3U091172010W03

1. Open the rear door glass completely.
2. Disconnect the negative battery cable.
3. Remove the rear door trim. (See 09-17-9 REAR DOOR TRIM REMOVAL/INSTALLATION.)
4. Disassemble in the order indicated in the table.

DOORS AND LIFTGATE

5. Assemble in the reverse order of disassembly.



X3U911WA7

1	Inner handle
2	Door lock knob
3	Door screen
4	Glass guide
5	Door quarter window glass weatherstrip
6	Door quarter window glass
7	Rear door glass

8	Rear power window regulator
9	Glass run channel
10	Rear manual window regulator
11	Rear door lock
12	Outer handle
13	Door weatherstrip

DOORS AND LIFTGATE

LIFTGATE REMOVAL/INSTALLATION

A3U091162010W01

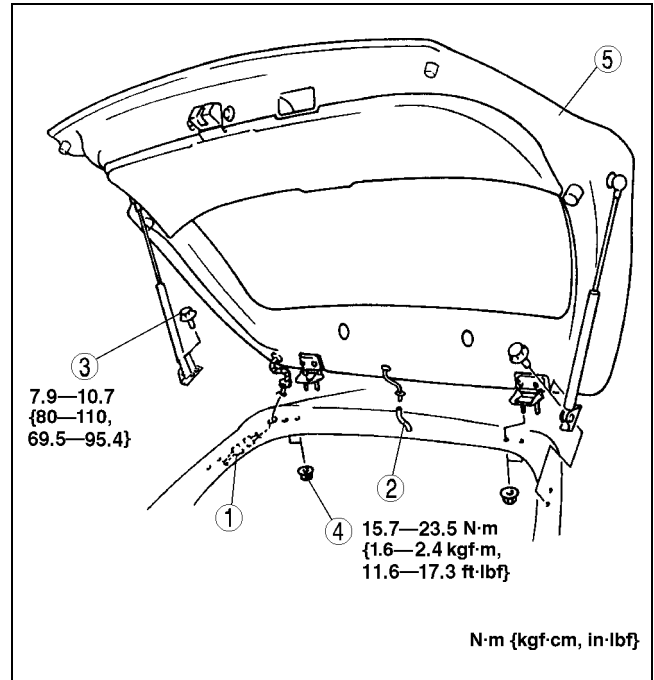
Warning

- Removing the stay damper without supporting the liftgate can be dangerous. The liftgate may fall and injure you. Open the liftgate fully and support it before removing the stay damper.

1. Disconnect the negative battery cable.
2. Remove the headliner. (See 09-17-16 HEADLINER REMOVAL/INSTALLATION.)
3. Remove in the order indicated in the table.

1	Connector
2	Rear washer hose
3	Bolt
4	Nut
5	Liftgate

4. Install in the reverse order of removal.
5. Adjust the liftgate. (See 09-11-9 LIFTGATE ADJUSTMENT)



A3U0911W001

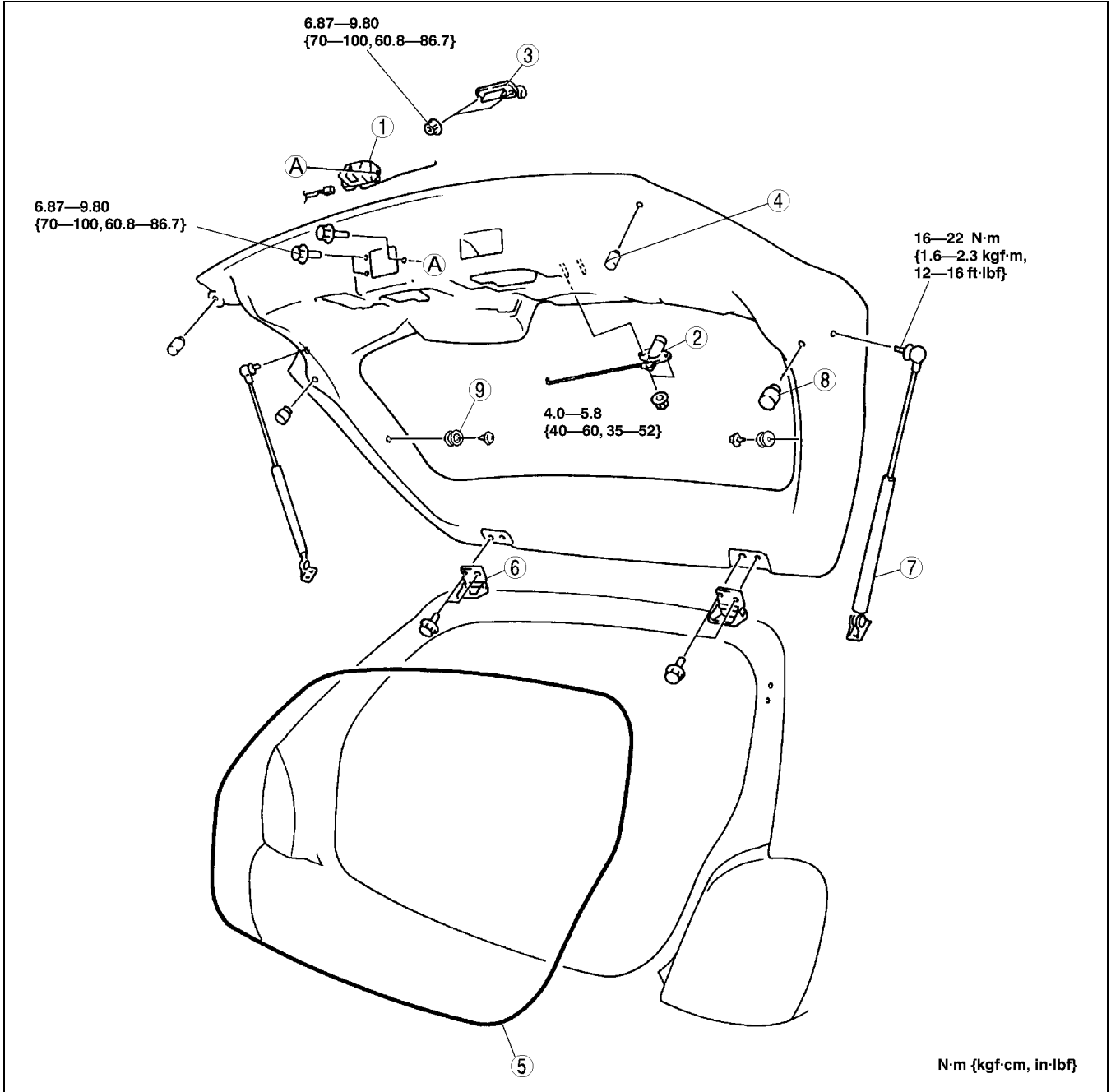
09-11

DOORS AND LIFTGATE

A3U091162010W02

LIFTGATE DISASSEMBLY/ASSEMBLY

1. Disconnect the negative battery cable.
2. Remove the liftgate trim.
3. Disassemble in the order indicated in the table.
4. Assemble in the reverse order of disassembly.



A3U0911W002

1	Liftgate lock
2	Liftgate lock cylinder
3	Liftgate outer handle
4	Stop rubber A
5	Liftgate weatherstrip

6	Liftgate hinge
7	Stay damper
8	Stop rubber B
9	Strap hanger

DOORS AND LIFTGATE

LIFTGATE ADJUSTMENT

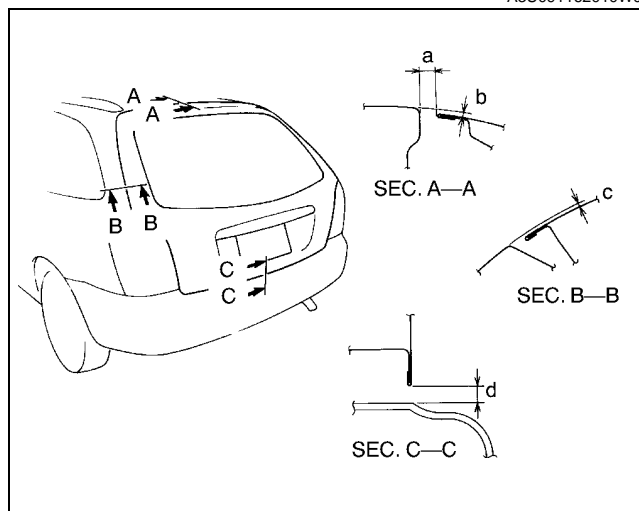
A3U091162010W03

1. Measure the gap and height between the liftgate and the body.
2. To measure the distance d, measure **within 484 mm {19.1 in}** right and left from the center of the liftgate.

Clearance

- a: 7.5—9.5 mm {0.30—0.37 in}
- b: -0.5—1.5 mm {-0.019—0.059 in}
- c: -0.7—1.7 mm {-0.027—0.066 in}
- d: 4.3—10.3 mm {0.17—0.41 in}

3. Loosen the liftgate hinge installation bolts or the liftgate striker installation screws, and reposition the liftgate.
4. Tighten the bolts or screws.



A3U0911W004

STAY DAMPER DISPOSAL

A3U091162620W01

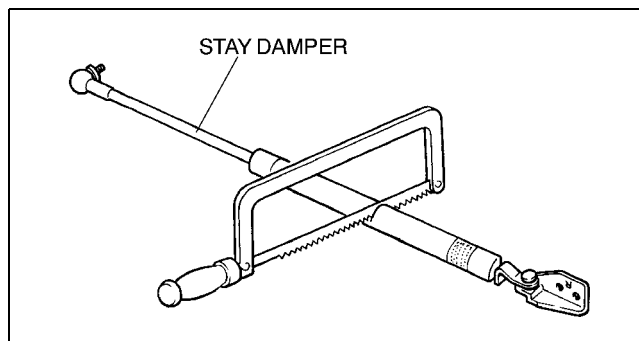
Warning

- Sawing through the stay damper body can cause metal shavings and filings to fly out, causing injury to the eyes. Wear protective eye wear whenever sawing through a stay damper before discarding it.

Note

- The gas in the stay damper is colorless, odorless, and non-toxic.

1. Lay the stay damper flat.
2. Saw through the stay damper body using a hacksaw.
3. Allow the gas to escape from the stay damper.
4. Discard the stay damper.



A3U0911W003