

# 09-10 BODY PANELS

FUEL-FILLER LID ADJUSTMENT . . . . . 09-10-1  
**FUEL-FILLER LID**  
 REMOVAL/INSTALLATION . . . . . 09-10-1  
**HOOD ADJUSTMENT** . . . . . 09-10-2  
**HOOD REMOVAL/INSTALLATION** . . . . . 09-10-3  
**TRUNK LID ADJUSTMENT** . . . . . 09-10-3  
**TRUNK LID REMOVAL/INSTALLATION** 09-10-4  
 Balance Spring Removal Note . . . . . 09-10-2  
**FRONT BUMPER**  
 REMOVAL/INSTALLATION . . . . . 09-10-5  
 Front Bumper Removal Note . . . . . 09-10-5

Front Bumper Installation Note . . . . . 09-10-6  
**FRONT BUMPER**  
**DISASSEMBLY/ASSEMBLY** . . . . . 09-10-6  
 Front Bumper Mesh Removal Note . . . . . 09-10-6  
 Hole Cover Removal Note . . . . . 09-10-7  
**REAR BUMPER**  
**REMOVAL/INSTALLATION** . . . . . 09-10-7  
 4SD . . . . . 09-10-7  
 5HB . . . . . 09-10-7  
**FRONT FENDER PANEL**  
**REMOVAL/INSTALLATION** . . . . . 09-10-8

## FUEL-FILLER LID ADJUSTMENT

1. Measure the gap and height between the fuel-filler lid and the body.
  - If not as specified, loosen the fuel-filler lid installation bolts, and reposition the fuel-filler lid.

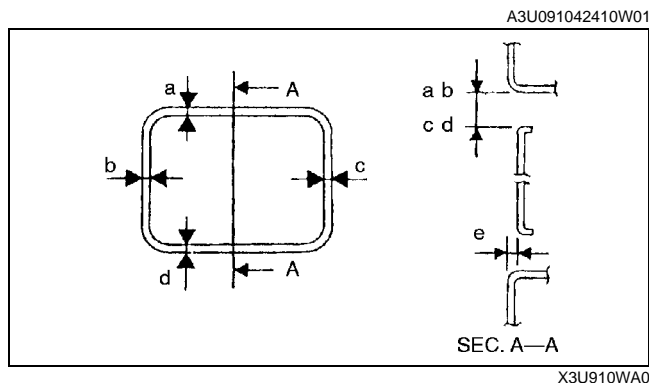
### Clearance

- a: 2.1—4.1 mm {0.09—0.16 in}
- b: 2.5—4.5 mm {0.10—0.17 in}
- c: 2.5—4.5 mm {0.10—0.17 in}
- d: 2.3—4.3 mm {0.10—0.16 in}
- e: -0.5—1.5 mm {-0.020—0.059 in}

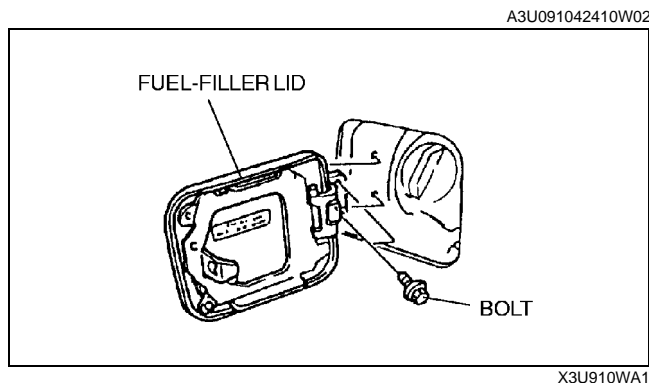
2. Tighten the bolts.

## FUEL-FILLER LID REMOVAL/INSTALLATION

1. Remove the bolts, then remove the fuel-filler lid.
2. Install in the reverse order of removal.
3. Adjust the fuel-filler lid. (See 09-10-1 FUEL-FILLER LID ADJUSTMENT.)



09-10



# BODY PANELS

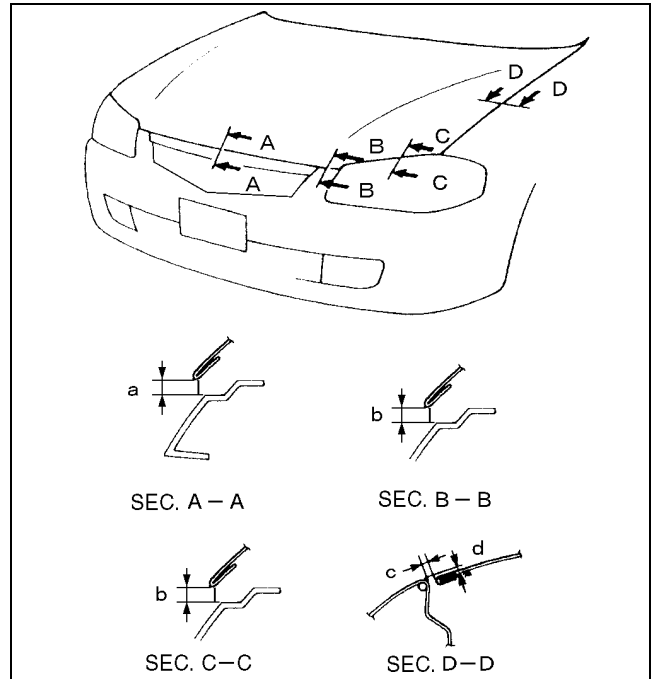
## HOOD ADJUSTMENT

A3U091052310W01

1. Measure the gap and height between the bonnet and the body.
  - If not as specified, adjust the gap and height.

### Clearance

- a: 3.7—8.3 mm {0.15—0.33 in}
- b: 4.0—8.0 mm {0.16—0.32 in}
- c: 3.0—5.0 mm {0.12—0.20 in}
- d: -1.0—1.0 mm {-0.04—0.04 in}



Y3E7710W001

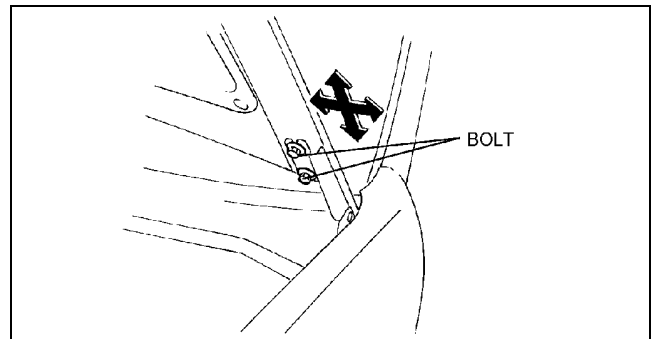
## Gap Adjustment

1. Loosen the bonnet installation bolts and reposition the bonnet.

### Tightening torque

18.6—28.4 N·m {1.9—2.9 kgf·m, 13—20 ft·lbf}

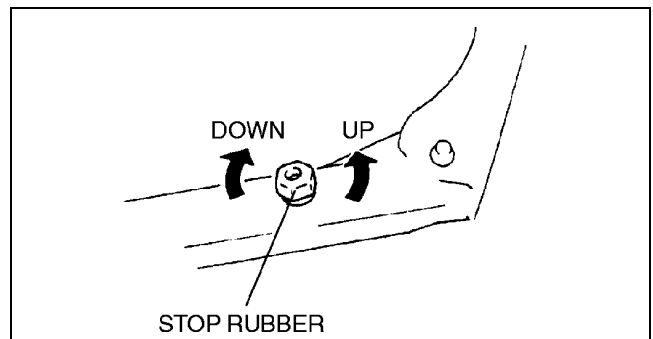
2. Tighten the bolts.



Y3E7710W002

## Height Adjustment

1. Turn the stop rubber to adjust the height of the bonnet.



X5U910WA3

# BODY PANELS

## HOOD REMOVAL/INSTALLATION

A3U091052310W02

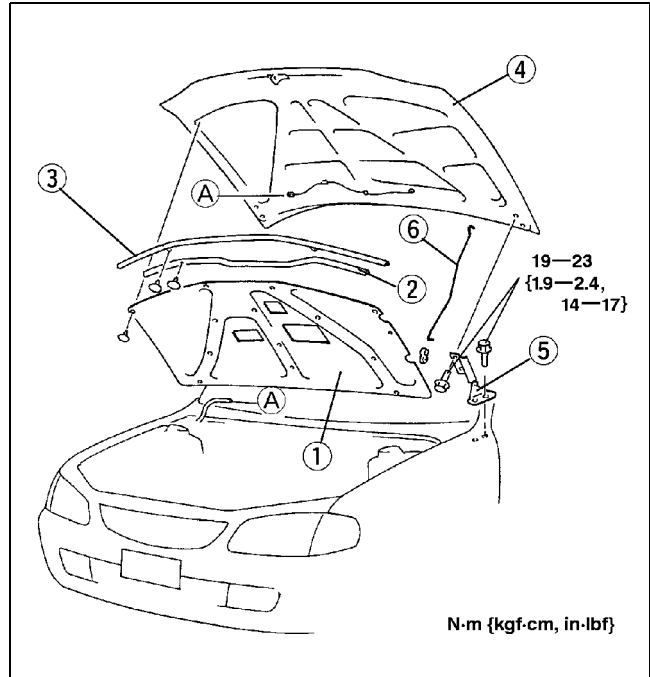
### Warning

- Removing the hood without supporting it can be dangerous. The hood may fall and injure you. Always perform these procedures together with at least another person.

1. Disconnect the windshield washer hose.
2. To remove the hood hinge, remove the front fender panel. (See 09-10-8 FRONT FENDER PANEL REMOVAL/INSTALLATION.)
3. Remove in the order indicated in the table.

1	Hood insulator (FP)
2	Shroud seal weatherstrip
3	Parting seal weatherstrip
4	Hood
5	Hood hinge
6	Hood stay

4. Install in the reverse order of removal.
5. Adjust the hood. (See 09-10-2 HOOD ADJUSTMENT.)



Y3U910WA0

09-10

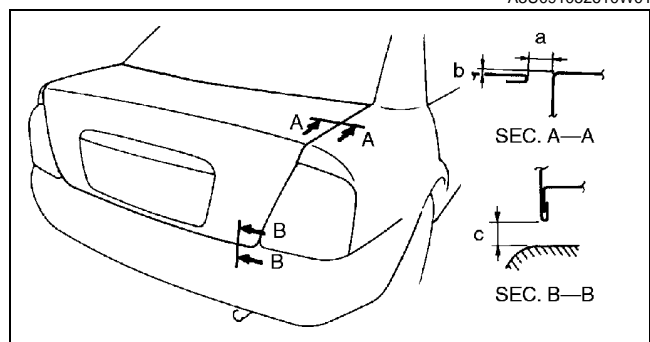
## TRUNK LID ADJUSTMENT

1. Measure the gap between the trunk lid and the body panel.
  - If not as specified, loosen the trunk lid hinge installation nuts and reposition the trunk lid.

### Clearance

- a: 3.3—5.3 mm {0.13—0.20 in}  
 b: -1.0—1.0 mm {-0.040—0.039 in}  
 c: 5.0—11.0 mm {0.20—0.43 in}

2. Tighten the nuts.



X3U910WA6

# BODY PANELS

## TRUNK LID REMOVAL/INSTALLATION

A3U091052610W02

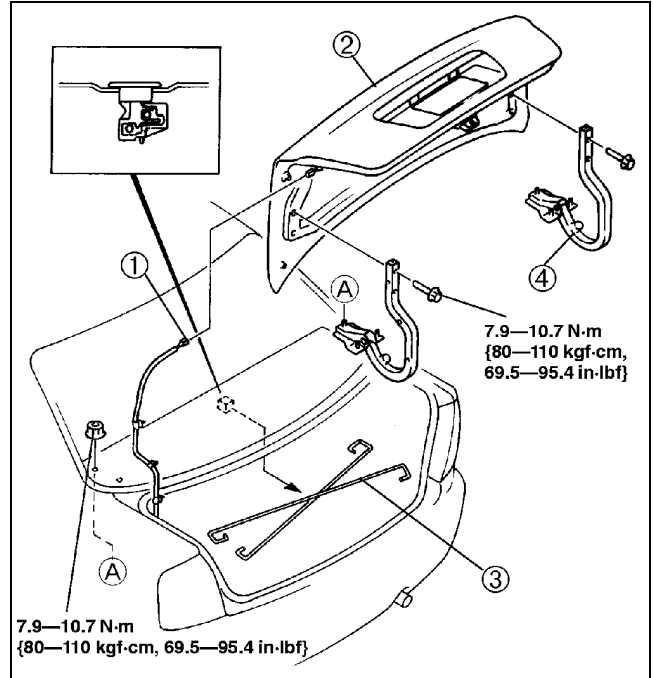
### Warning

- Removing the trunk lid without supporting it can be dangerous. The trunk lid may fall and injure you. Always perform these procedures together with at least another person.

1. Disconnect the negative battery cable.
2. To remove the trunk lid hinge, remove the rear package trim. (See 09-17-12 REAR PACKAGE TRIM REMOVAL/INSTALLATION.)
3. Remove in the order indicated in the table.

1	Connector
2	Trunk lid
3	Balance spring (See 09-10-4 Balance Spring Removal Note)
4	Trunk lid hinge

4. Install in the reverse order of removal.
5. Adjust the trunk lid. (See 09-10-3 TRUNK LID ADJUSTMENT.)



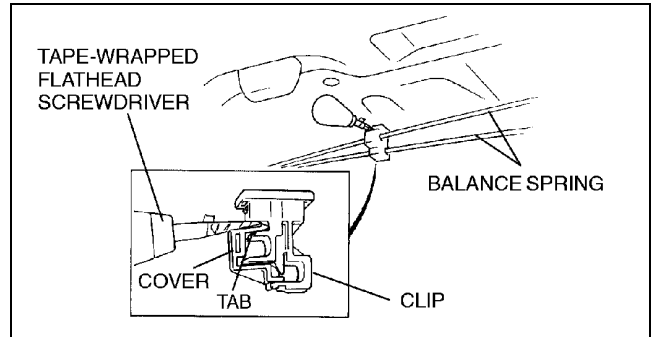
X3U910WA7

### Balance Spring Removal Note

#### Note

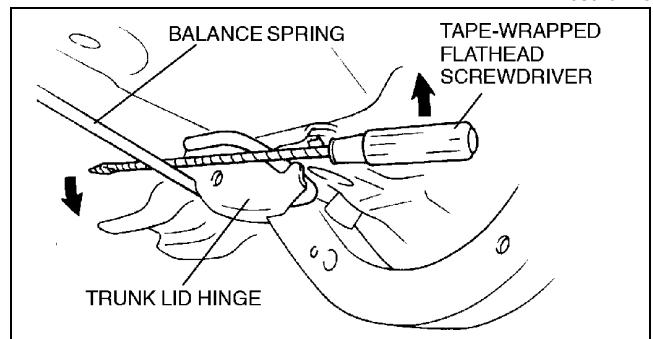
- The balance springs are under high tension.

1. Push the tab of the clip to open the cover using a tape-wrapped flathead screwdriver.
2. Remove the balance springs from the clip.



Y3U910WA3

3. Remove the balance spring from the trunk lid hinge using a tape-wrapped flathead screwdriver.



X3U910WA9

# BODY PANELS

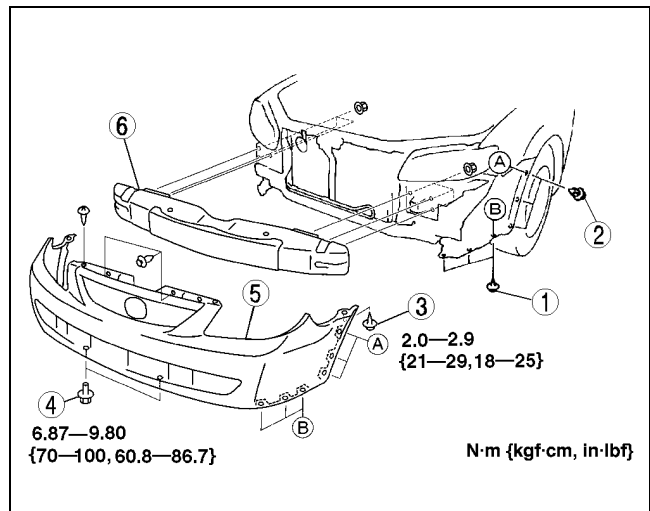
## FRONT BUMPER REMOVAL/INSTALLATION

A3U091050031W01

1. Disconnect the negative battery cable.
2. Disconnect the front fog light connector.
3. To remove the bumper reinforcement, remove the front bumper and washer tank, then remove the bumper reinforcement installation nuts.
4. Remove in the order indicated in the table.

1	Screw A
2	Fastener
3	Screw B
4	Bolt
5	Front bumper (See 09-10-5 Front Bumper Removal Note.) (See 09-10-6 Front Bumper Installation Note.)
6	Front bumper reinforcement

5. Install in the reverse order of removal.
6. Adjust the front fog light aiming. (See 09-18-9 FRONT FOG LIGHT ADJUSTMENT.)



Z3U0910W004

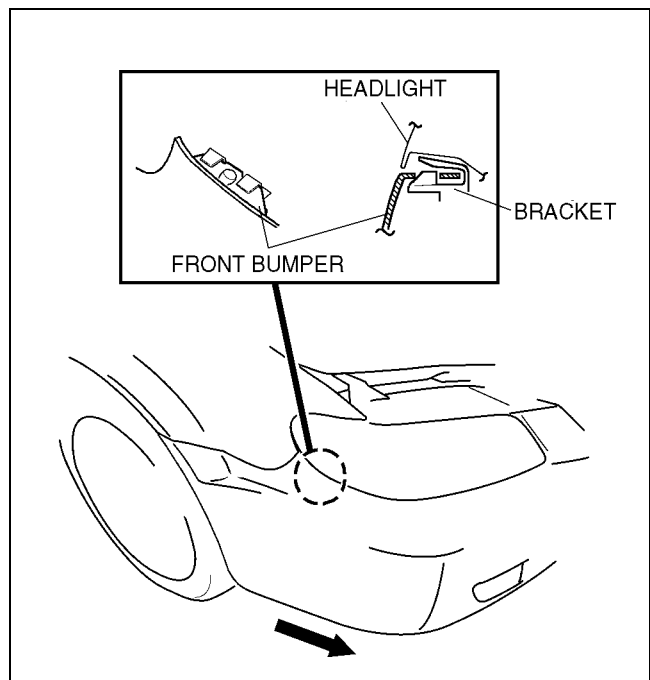
### Front Bumper Removal Note

1. While supporting the connection between the front bumper and bracket, pull the front bumper forward to disengage the connection.

#### Note

- The connection between the front bumper and bracket does not disengage until the front bumper is pulled forward. Be sure to pull the front bumper forward to disengage it from the bracket.

2. Remove the front bumper.



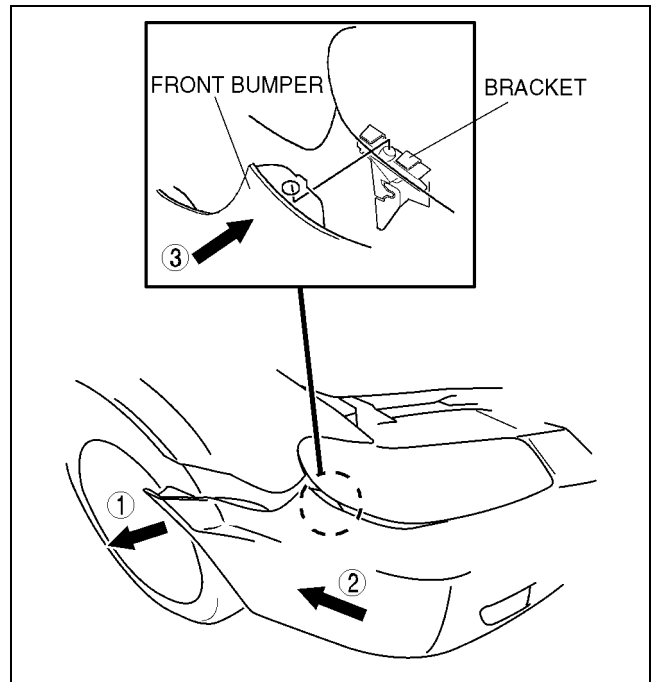
Y3E7726W004

09-10

# BODY PANELS

## Front Bumper Installation Note

1. Spread the front bumper ends (wheel arches) apart.
2. Attach the front bumper to the body.
3. Press the front bumper connection portion into the body to engage with the bracket.



Y3E7726W005

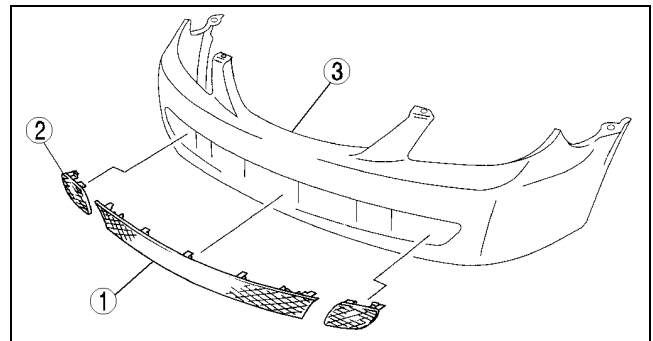
## FRONT BUMPER DISASSEMBLY/ASSEMBLY

A3U091050031W02

1. Remove the radiator grille.
2. Disassemble in the order indicated in the table.

1	Front bumper mesh (See 09-10-6 Front Bumper Mesh Removal Note.)
2	Hole cover (See 09-10-7 Hole Cover Removal Note.)
3	Front bumper fascia

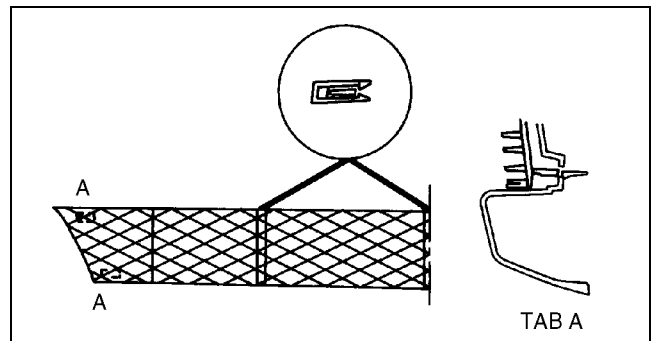
3. Assemble in the reverse order of disassembly.



Z3U0910W001

## Front Bumper Mesh Removal Note

1. Push the tabs of front bumper mesh forward from the back of the front bumper fascia to unhook the front bumper mesh.

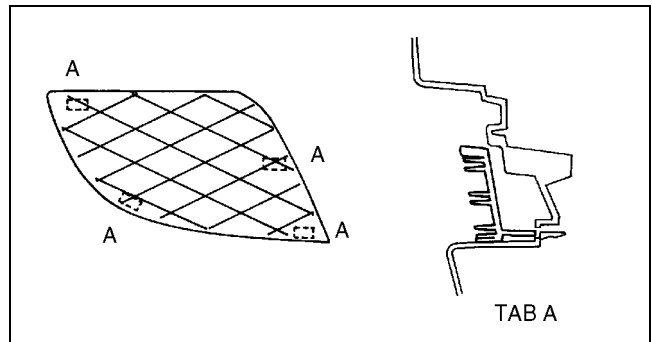


Z3U0910W002

# BODY PANELS

## Hole Cover Removal Note

1. Push the tabs on the hole cover forward from the back of the front bumper fascia to unhook the front bumper mesh.



Z3U0910W003

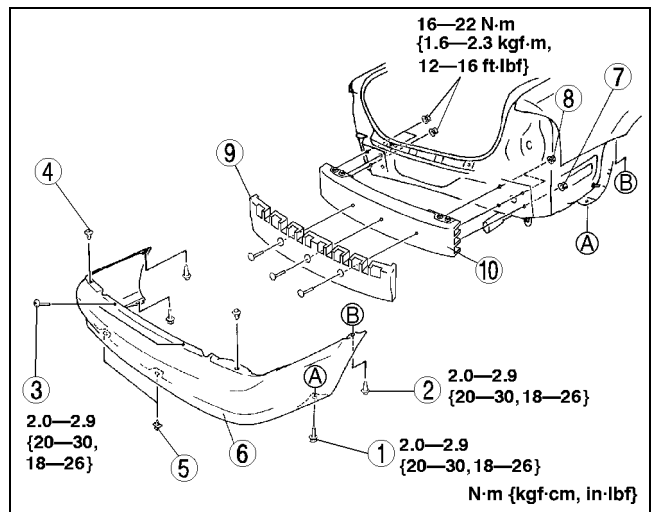
## REAR BUMPER REMOVAL/INSTALLATION

### 4SD

1. Disconnect the negative battery cable.
2. Remove the rear combination lights. (See 09-18-10 REAR COMBINATION LIGHT REMOVAL/INSTALLATION.)
3. Remove in the order indicated in the table.

1	Bolt A
2	Screw
3	Bolt B
4	Fastener A
5	Fastener B
6	Rear bumper fascia
7	Nut A
8	Nut B
9	Energy absorption foam
10	Rear bumper reinforcement

4. Install in the reverse order of removal.



A3U0910W001

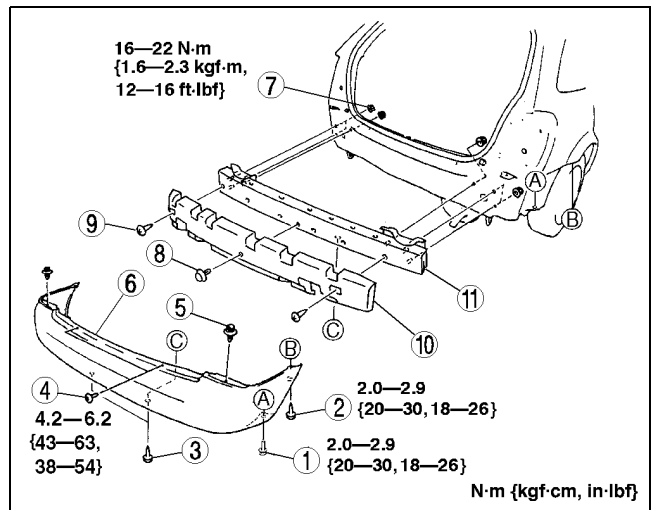
09-10

### 5HB

1. Disconnect the negative battery cable.
2. Remove the rear combination lights. (See 09-18-10 REAR COMBINATION LIGHT REMOVAL/INSTALLATION.)
3. Remove in the order indicated in the table.

1	Bolt A
2	Screw
3	Fastener A
4	Bolt B
5	Fastener B
6	Rear bumper fascia
7	Nut
8	Fastener C
9	Fastener D
10	Energy absorption foam
11	Rear bumper reinforcement

4. Install in the reverse order of removal.



A3U0910W002

## BODY PANELS

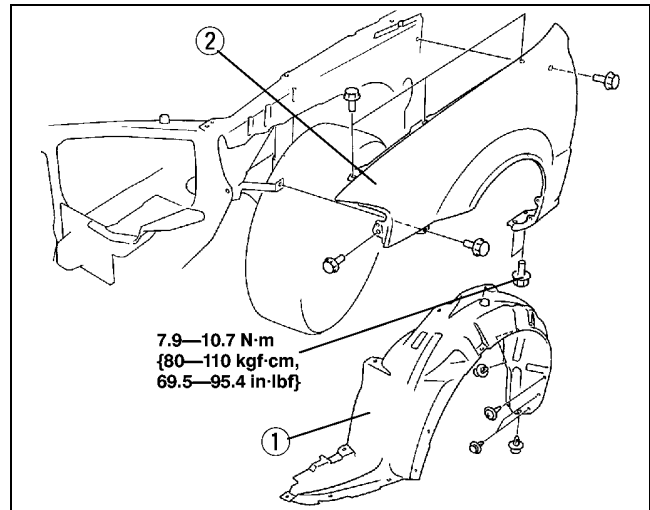
### FRONT FENDER PANEL REMOVAL/INSTALLATION

A3U091052110W01

1. Disconnect the negative battery cable.
2. Remove the front combination light. (See 09-18-5 FRONT COMBINATION LIGHT REMOVAL/INSTALLATION.)
3. Remove in the order indicated in the table.

1	Mud guard
2	Front fender panel

4. Install in the reverse order of removal.
5. Adjust the headlight aiming. (See 09-18-5 HEADLIGHT ADJUSTMENT.)



X3U910WAD