

08-11 SEAT BELT

FRONT SEAT BELT
 REMOVAL/INSTALLATION 08-11-1

REAR SEAT BELT
 REMOVAL/INSTALLATION 08-11-1
 4SD 08-11-2
 5HB 08-11-2

REAR CENTER SEAT BELT
 REMOVAL/INSTALLATION 08-11-3
 4SD 08-11-3
 5HB 08-11-3

FRONT BUCKLE
 REMOVAL/INSTALLATION 08-11-3

REAR BUCKLE
 REMOVAL/INSTALLATION 08-11-4

SEAT BELT INSPECTION 08-11-4
 Belt 08-11-4
 ELR 08-11-4
 ALR 08-11-4

BUCKLE SWITCH INSPECTION 08-11-5

CHILD RESTRAINT SEAT ANCHOR
 REMOVAL/INSTALLATION 08-11-5
 ISOFIX Anchor 08-11-5
 Tether Anchor 08-11-5

FRONT SEAT BELT REMOVAL/INSTALLATION

A3U081157630W01

Warning

- Handling the front seat belt (pre-tensioner seat belt) or the side air bag sensor improperly can accidentally deploy the pre-tensioner or the side air bag module, which may seriously injure you. Read SERVICE WARNINGS before handling the front seat belt or working around the B-pillar areas. (See 08-10-3 AIR BAG SYSTEM SERVICE WARNINGS.)

Note

- The side air bag sensor is located in the B-pillar.

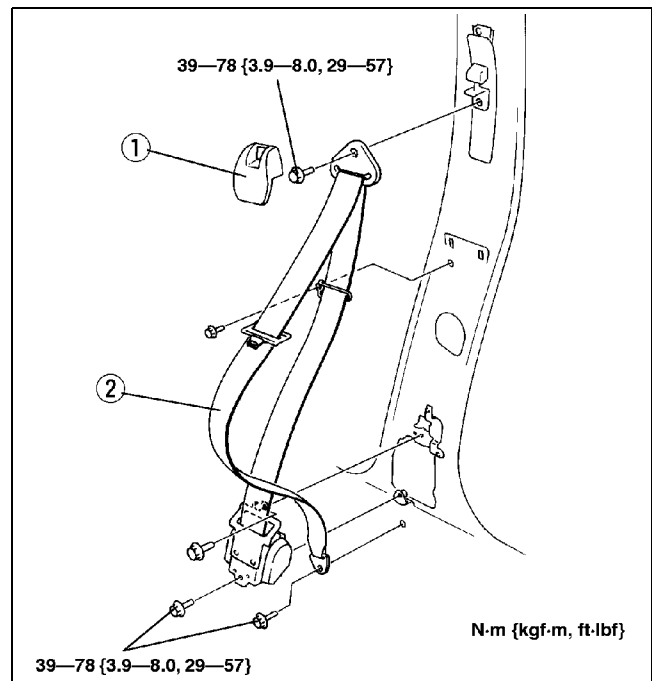
Caution

- The ELR has a spring that will unwind if the retractor's cover is removed. The spring cannot be rewound by hand. If this occurs, the ELR will not work properly. Therefore, do not disassemble the retractor.

1. Disconnect the negative battery cable.
2. Remove the B-pillar lower trim. (See 09-17-10 B-PILLAR LOWER TRIM REMOVAL.) (See 09-17-11 B-PILLAR LOWER TRIM INSTALLATION.)
3. Remove in the order indicated in the table.

1	Anchor cover
2	Front seat belt

4. Install in the reverse order of removal.



X3U811WA0

SEAT BELT

REAR SEAT BELT REMOVAL/INSTALLATION

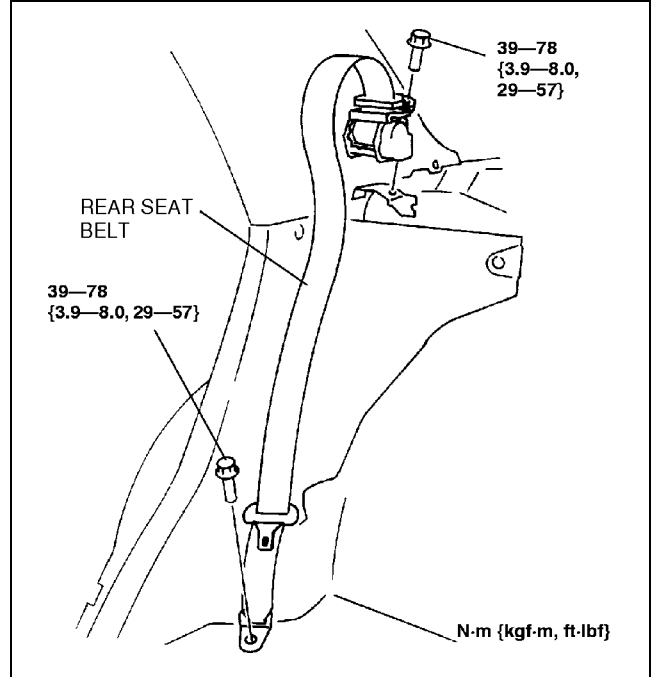
A3U081157730W01

Caution

- The ELR has a spring that will unwind if the retractor's cover is removed. The spring cannot be rewound by hand. If this occurs, the ELR will not work properly. Therefore, do not disassemble the retractor.

4SD

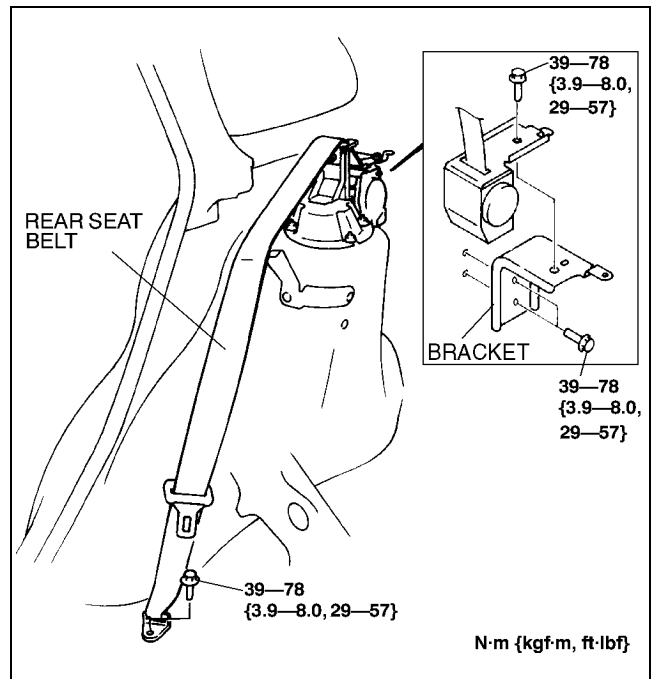
1. Remove the rear package trim.
2. Remove the bolts, then remove the rear seat belt.
3. Install in the reverse order of removal.



Z3U0811W004

5HB

1. Remove the trunk side trim.
2. Remove the bolts, then remove the rear seat belt.
3. Install in the reverse order of removal.



A3U0811W001

SEAT BELT

REAR CENTER SEAT BELT REMOVAL/INSTALLATION

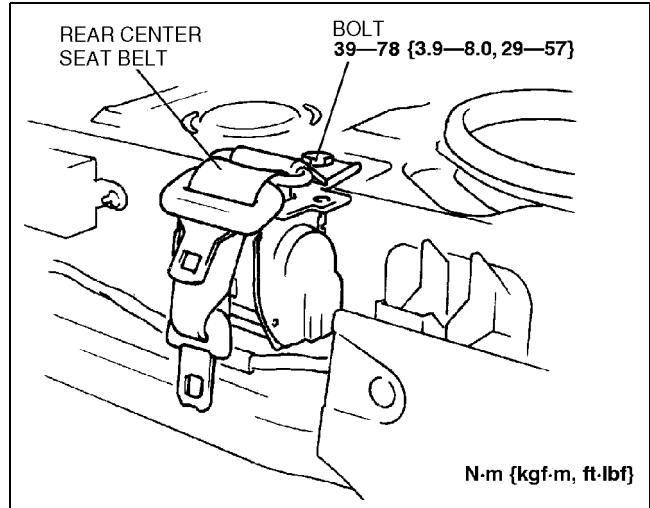
A3U081157730W02

Caution

- The ELR has a spring that will unwind if the retractor's cover is removed. The spring cannot be rewound by hand. If this occurs, the ELR will not work properly. Therefore, do not disassemble the retractor.

4SD

1. Remove the rear package trim.
2. Remove the bolt, then remove the rear center seat belt.
3. Install in the reverse order of removal.

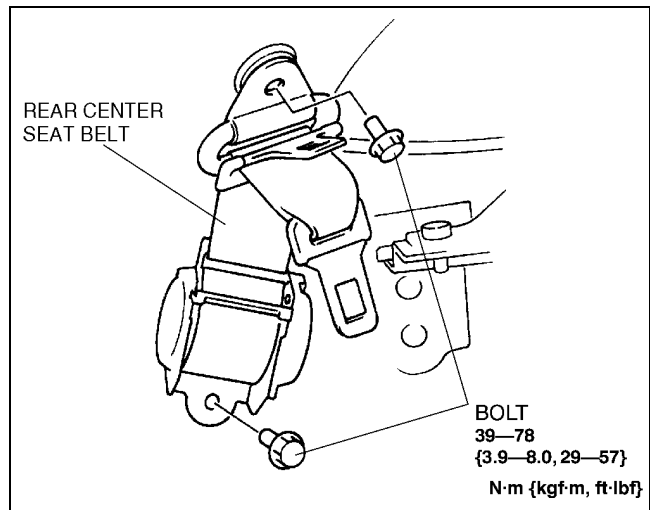


Z3U0811W002

08-11

5HB

1. Remove the trunk side trim.
2. Remove the bolts, then remove the rear center seat belt.
3. Install in the reverse order of removal.



A3U0811W002

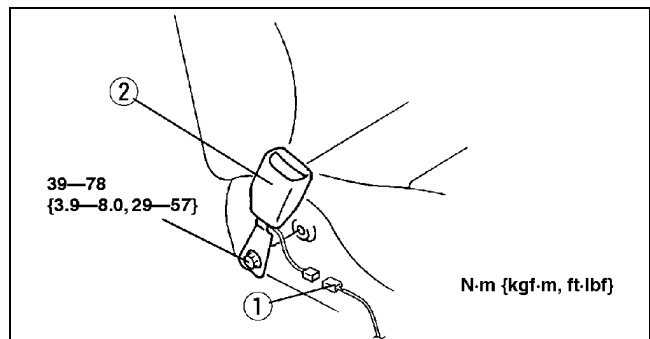
A3U081157620W01

FRONT BUCKLE REMOVAL/INSTALLATION

1. Disconnect the negative battery cable.
2. Remove in the order indicated in the table.

1	Connector
2	Front buckle

3. Install in the reverse order of removal.



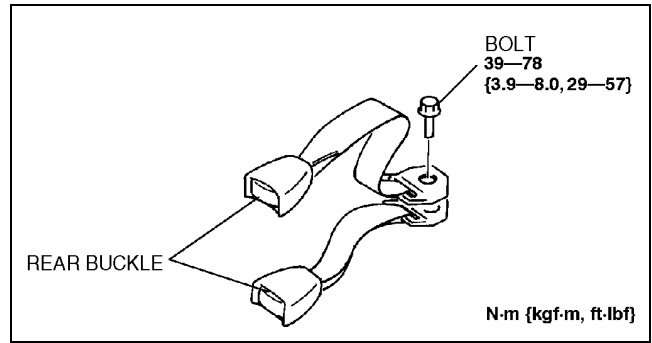
X3U811WA3

SEAT BELT

REAR BUCKLE REMOVAL/INSTALLATION

A3U081157720W01

1. For 4SD, remove the rear seat cushion. For 5HB, lift up the rear seat cushion.
2. Remove the bolt, then remove the rear buckle.
3. Install in the reverse order of removal.



Z3U0811W001

SEAT BELT INSPECTION

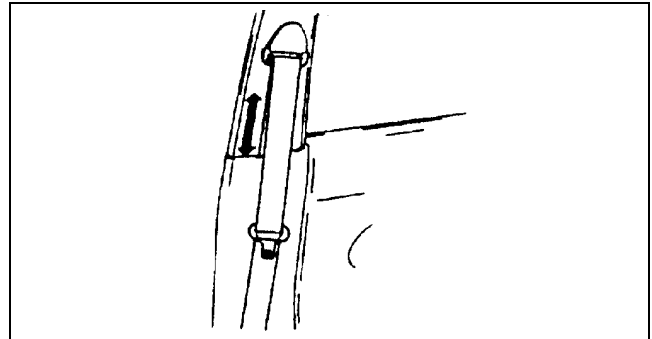
A3U081157630W02

Belt

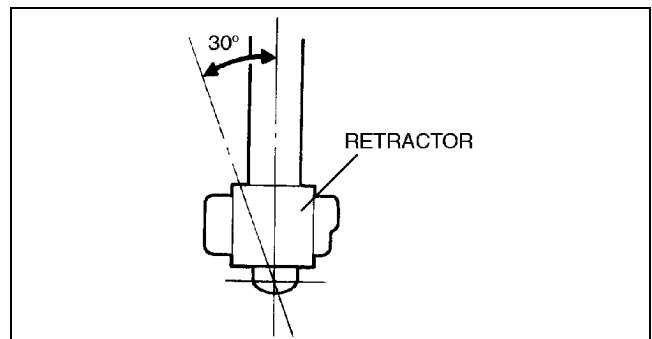
1. Confirm that the seat belt is installed correctly.
2. Inspect the seat belt for damage and deformation of metal parts.
 - If any damage is found, replace as necessary.
3. Replace the seat belt if there is any faulty area.

ELR

1. Verify that the belt can be pulled out smoothly, and that it moves smoothly when wound.
 - If not as specified, replace the seat belt.
2. Verify that the retractor locks when the belt is pulled quickly.
 - If not as specified, replace the seat belt.
3. Remove the retractor. (See 08-11-1 FRONT SEAT BELT REMOVAL/INSTALLATION.) (See 08-11-2 REAR SEAT BELT REMOVAL/INSTALLATION.) (See 08-11-3 REAR CENTER SEAT BELT REMOVAL/INSTALLATION.)
4. Hold the retractor as it would be installed.
5. Slowly incline the retractor while pulling out the belt.
6. Verify that the retractor lks at approximately 30° inclination.
 - If not as specified, replace the seat belt.



X3U811WA5



X3U811WA6

ALR

1. Pull the belt out fully and the lock mode changes from ELR to ALR.
2. Verify that retractor makes a clicking sound as the belt slowly retracts.
 - If no sound is heard, the lock mode has not changed to ALR. If necessary, repeat the above Step 1.
 - If not as specified, replace the seat belt.
3. Verify that the belt locks when pulled.
 - If not as specified, replace the seat belt.
4. Verify that the lock mode changes to ELR when the belt fully retracts.
 - If not as specified, replace the seat belt.

SEAT BELT

BUCKLE SWITCH INSPECTION

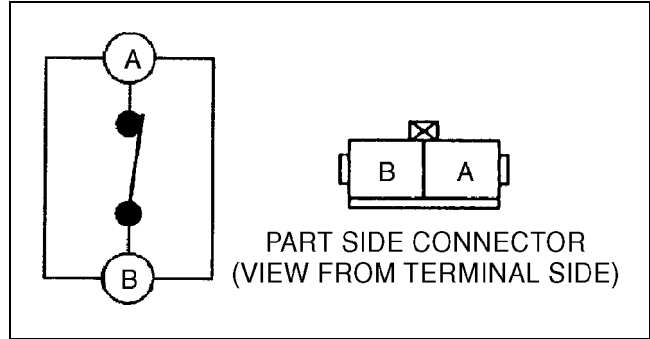
A3U081157620W02

1. Disconnect the negative battery cable.
2. Disconnect the buckle switch connector.
3. Inspect for continuity between the buckle switch terminals using an ohmmeter.
 - If not as specified, replace the front buckle.

○—○ : Continuity

Seat belt	Terminal	
	A	B
Fastened		
Unfastened	○—○	○—○

X3U811WA7



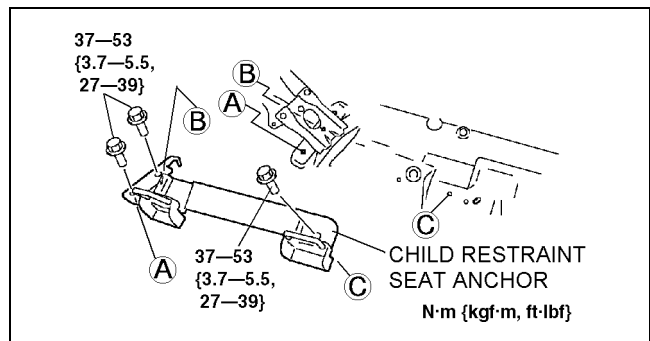
Y3U811WA0

CHILD RESTRAINT SEAT ANCHOR REMOVAL/INSTALLATION

A3U081157770W01

ISOFIX Anchor

1. Fold down the rear seat back.
2. Remove the tire house trim.
3. Remove the child restraint seat anchor.
4. Install in the reverse order of removal.

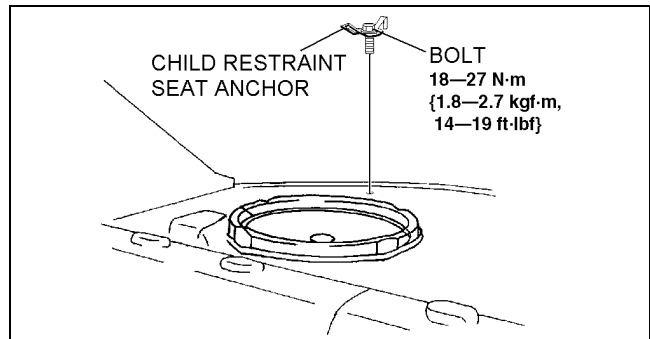


Z3U0811W003

Tether Anchor

4SD

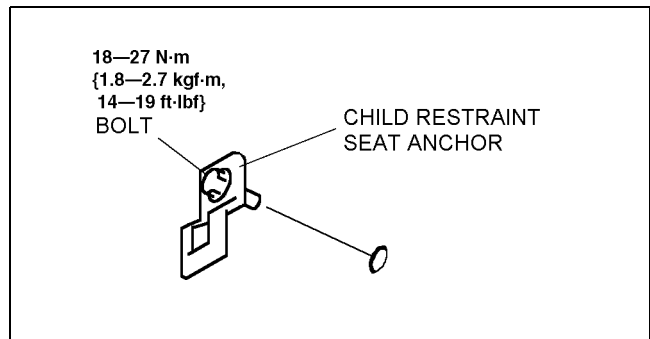
1. Remove the rear package trim.
2. Remove the bolt, then child restraint seat anchor.
3. Install in the reverse order of removal.



A3U0811W004

5HB

1. Remove the trunk end trim.
2. Remove the bolt, then child restraint seat anchor.
3. Install in the reverse order of removal.



A3U0811W005