


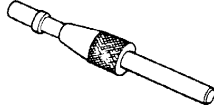
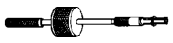
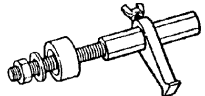
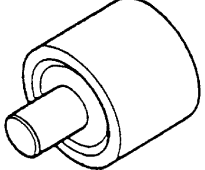
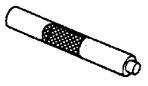
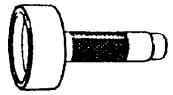
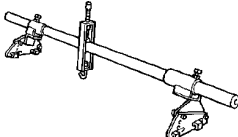
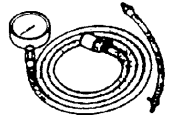
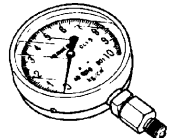

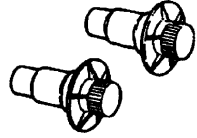


SERVICE TOOLS

05-60 SERVICE TOOLS

TRANSMISSION/TRANSAXLE SST. . . . 05-60-1

TRANSMISSION/TRANSAXLE SST

A3U056001024W01

<p>49 0259 770B</p> <p>Flare nut wrench</p> 	<p>49 SE01 310A</p> <p>Clutch disc centering tool</p> 	<p>49 1285 071</p> <p>Bearing puller</p> 
<p>49 E011 1A0</p> <p>Ring gear brake set</p> 	<p>49 F028 202</p> <p>Bush installer</p> 	<p>49 B001 797</p> <p>Handle (Part of 49 B001 795)</p> 
<p>49 B001 795</p> <p>Oil seal installer</p> 	<p>49 E017 5A0</p> <p>Engine support</p> 	<p>49 0378 400C</p> <p>Oil pressure gauge set</p> 
<p>49 B019 901B</p> <p>Oil pressure gauge</p> 	<p>49 H019 002</p> <p>Adapter</p> 	<p>49 G030 455</p> <p>Diff. side gear holder</p> 
<p>49 G030 795</p> <p>Oil seal installer</p> 	<p>418FS475</p> <p>WDS</p> 	<p>—</p>

05-60