

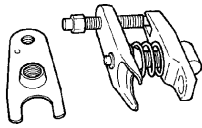
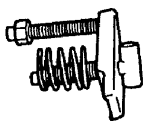

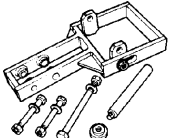

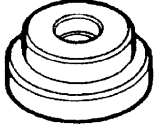
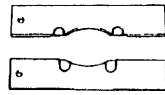
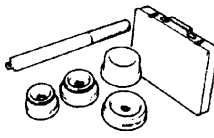
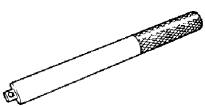
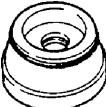



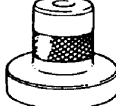

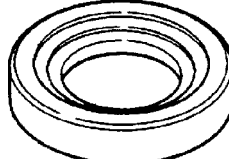
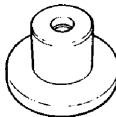
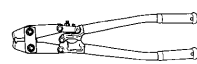
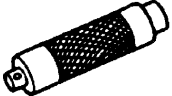

SERVICE TOOLS

03-60 SERVICE TOOLS

DRIVELINE/AXLE SST 03-60-1

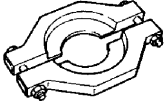

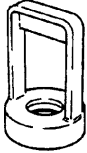

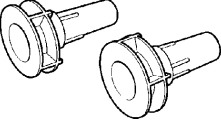
DRIVELINE/AXLE SST

A3U036001018W01

<p>49 T028 3A0</p> <p>Ball joint puller set</p> 	<p>49 T028 303</p> <p>Body (Part of 49 T028 3A0)</p> 	<p>49 T028 304</p> <p>Attachment (Part of 49 T028 3A0)</p> 
<p>49 B026 1A0</p> <p>Wheel hub puller set</p> 	<p>49 G033 102</p> <p>Handle (Part of 49 B026 1A0)</p> 	<p>49 G030 727</p> <p>Attachment (Part of 49 B026 1A0)</p> 
<p>49 F026 103</p> <p>Wheel hub puller</p> 	<p>49 F027 0A1</p> <p>Bearing installer set</p> 	<p>49 F027 003</p> <p>Handle (Part of 49 F027 0A1)</p> 
<p>49 F027 005</p> <p>Attachment ø62 (Part of 49 F027 0A1)</p> 	<p>49 F027 007</p> <p>Attachment ø72 (Part of 49 F027 0A1)</p> 	<p>49 F027 009</p> <p>Attachment ø68 & 77 (Part of 49 F027 0A1)</p> 
<p>49 E033 101</p> <p>Dust cover installer</p> 	<p>49 V001 795</p> <p>Oil seal installer</p> 	<p>49 B026 103</p> <p>Sensor rotor installer</p> 
<p>49 G026 105</p> <p>Sensor rotor installer</p> 	<p>49 F026 102</p> <p>Bearing installer</p> 	<p>49 W027 003</p> <p>Bearing installer</p> 
<p>49 T025 001</p> <p>Boot clamp crimper</p> 	<p>49 G030 797</p> <p>Handle (Part of 49 G030 795)</p> 	<p>49 B025 004</p> <p>Dust boot installer</p> 

03-60

SERVICE TOOLS

<p>49 H027 002</p> <p>Bearing installer</p> 	<p>49 H034 201</p> <p>Support block</p> 	<p>49 B025 006A</p> <p>Sensor rotor installer</p> 
<p>49 B025 009A</p> <p>Installer attachment</p> 	<p>49 B027 006</p> <p>Diff. side gear holder (MTX)</p> 	<p>49 G030 455</p> <p>Diff. side gear holder (ATX)</p> 