

01-15 EXHAUST SYSTEM

EXHAUST SYSTEM INSPECTION 01-15-1
 EXHAUST SYSTEM
 REMOVAL/INSTALLATION 01-15-1
 ZM 01-15-1

FS 01-15-2
 Exhaust Manifold Removal Note 01-15-2
 Exhaust Manifold Gasket
 Installation Note 01-15-3

EXHAUST SYSTEM INSPECTION

A3U01154000W01

1. Start the engine and inspect each exhaust system component for exhaust gas leakage.
 - If leakage is found, repair or replace if necessary.

EXHAUST SYSTEM REMOVAL/INSTALLATION

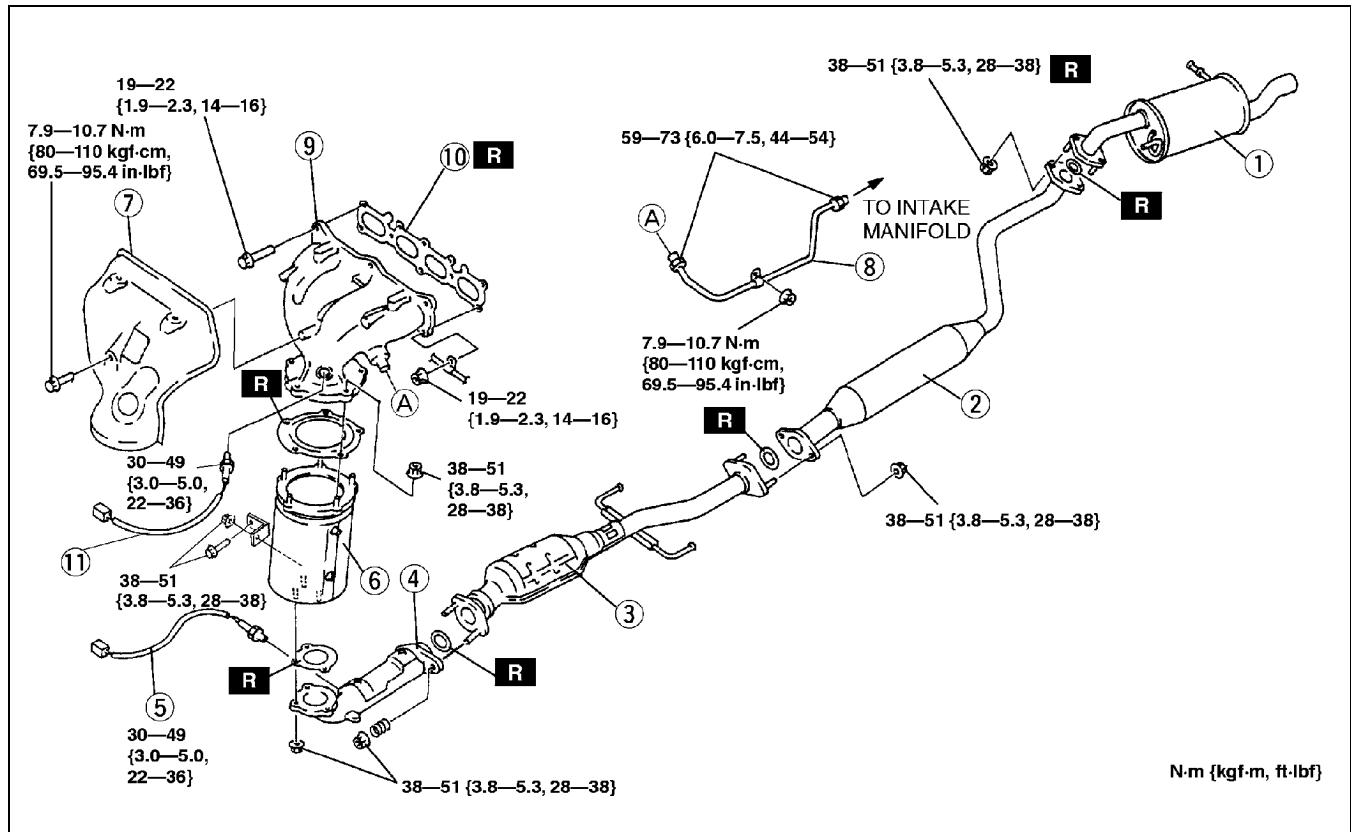
A3U01154000W02

Warning

- Hot engine and exhaust system can cause serious burn. Turn off the engine and wait until it and the exhaust system are cool before removing the exhaust system.

1. Disconnect the battery negative cable.
2. Remove in the order indicated in the table.
3. Install in the reverse order of removal.

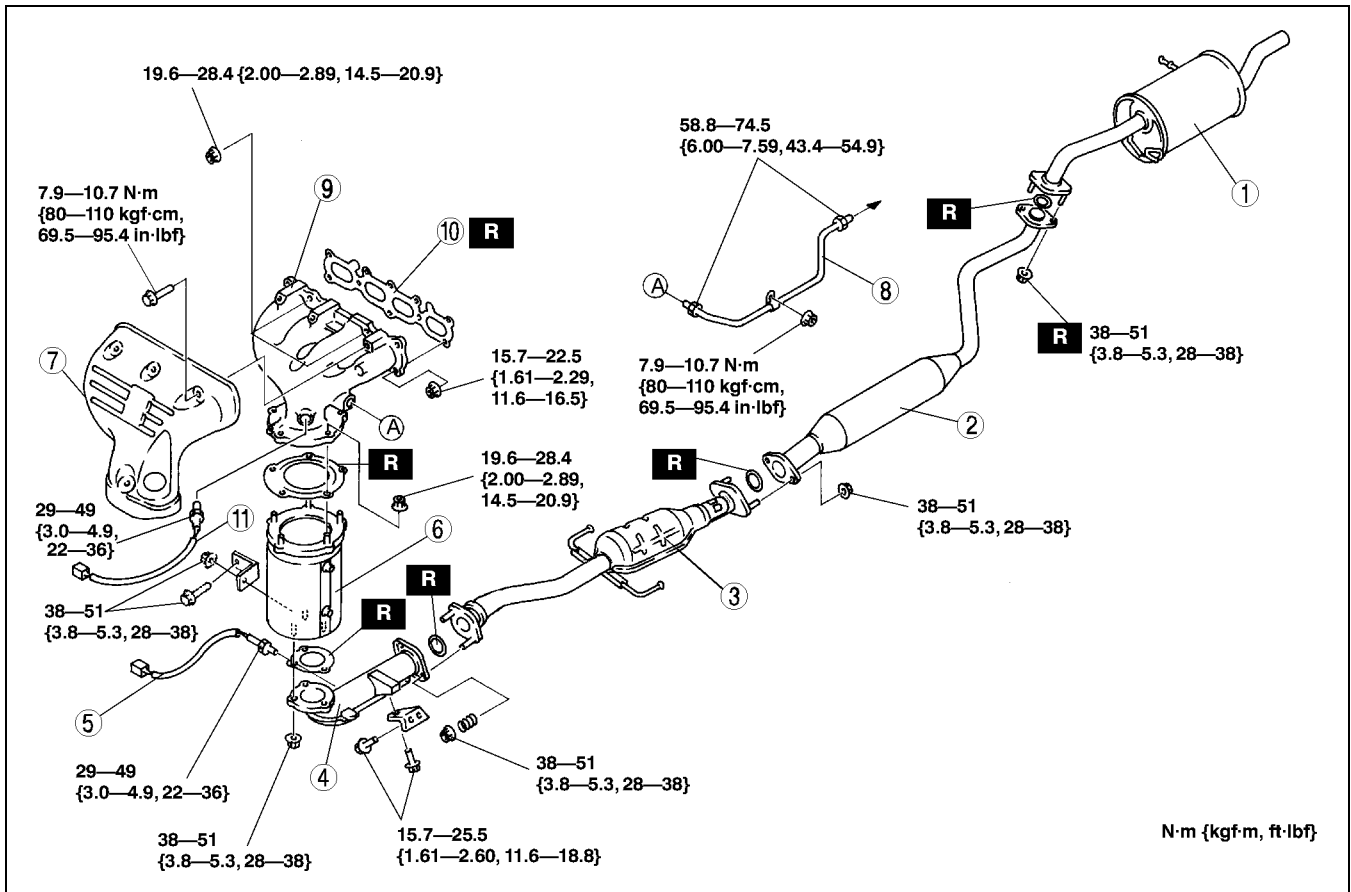
ZM



A3U0115W002

EXHAUST SYSTEM

FS



A3U0115W001

1	Main silencer
2	Presilencer
3	TWC
4	Front pipe
5	HO2S (rear)
6	WU-TWC
7	Exhaust manifold insulator

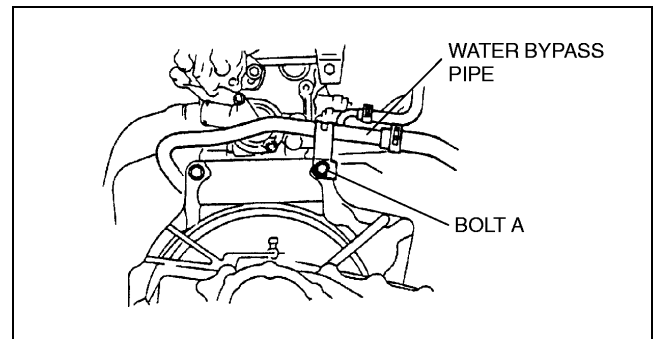
8	EGR pipe
9	Exhaust manifold (See 01-15-2 Exhaust Manifold Removal Note)
10	Exhaust manifold gasket (See 01-15-3 Exhaust Manifold Gasket Installation Note)
11	HO2S (Front)

Exhaust Manifold Removal Note

1. Remove the air cleaner and air hose.
2. Remove bolt A on the water bypass pipe before removing the exhaust manifold.

Tightening torque

64—89 N·m {6.5—9.1 kgf·m, 48—65 ft·lbf}

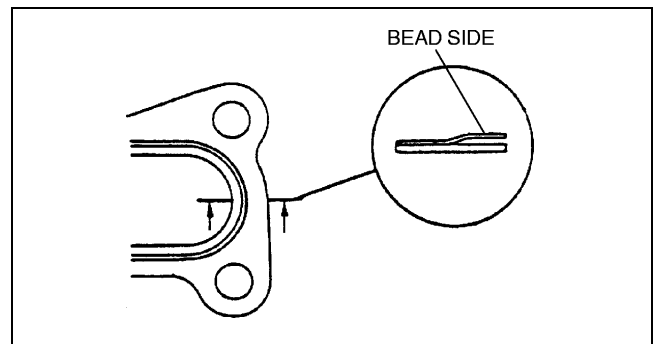


X3U115WA2

EXHAUST SYSTEM

Exhaust Manifold Gasket Installation Note

1. To install the exhaust manifold gasket, make sure that the bead side of the gasket is facing the exhaust manifold side.



X3U115WA3

01-15